

KEUCO

AXESS

Accessibility meets design



Design by  
**STUDIO F·A·PORSCHE**



*“We wanted to develop accessible bathroom products from a completely new perspective. In very clear aesthetic forms - timeless, never losing their appeal, even many years from now. Independent of the zeitgeist and passing trends, but still beyond anything ever seen before. With the goal of achieving the outstanding and making it technically feasible in the minutest detail. With German engineering artistry, made with the highest quality in every respect.”*

Christian Schwamkrug, Design Director Studio F.A. Porsche

KEUCO and Studio F. A. Porsche. A perfect symbiosis. When two institutions of their calibre join forces, something extraordinary happens: AXESS, the furnishing series for security and comfort, from a collaboration between KEUCO and the renowned design agency Studio F. A. Porsche. With the highest standard of design, AXESS offers products for the older generation or people with disabilities, expressing a self-assured lifestyle.

**KEUCO**

Design by  
**STUDIO F·A·PORSCHE**







Elegance on the wall. Who says that drop-down supporting rails and superb design are mutually exclusive? When folded up, the visually appealing supporting rail lies exceptionally flatly against the wall. Once stylishly folded onto the wall this way, it looks nothing like any drop-down supporting rail you've ever seen. It is hardly even recognisable as one.

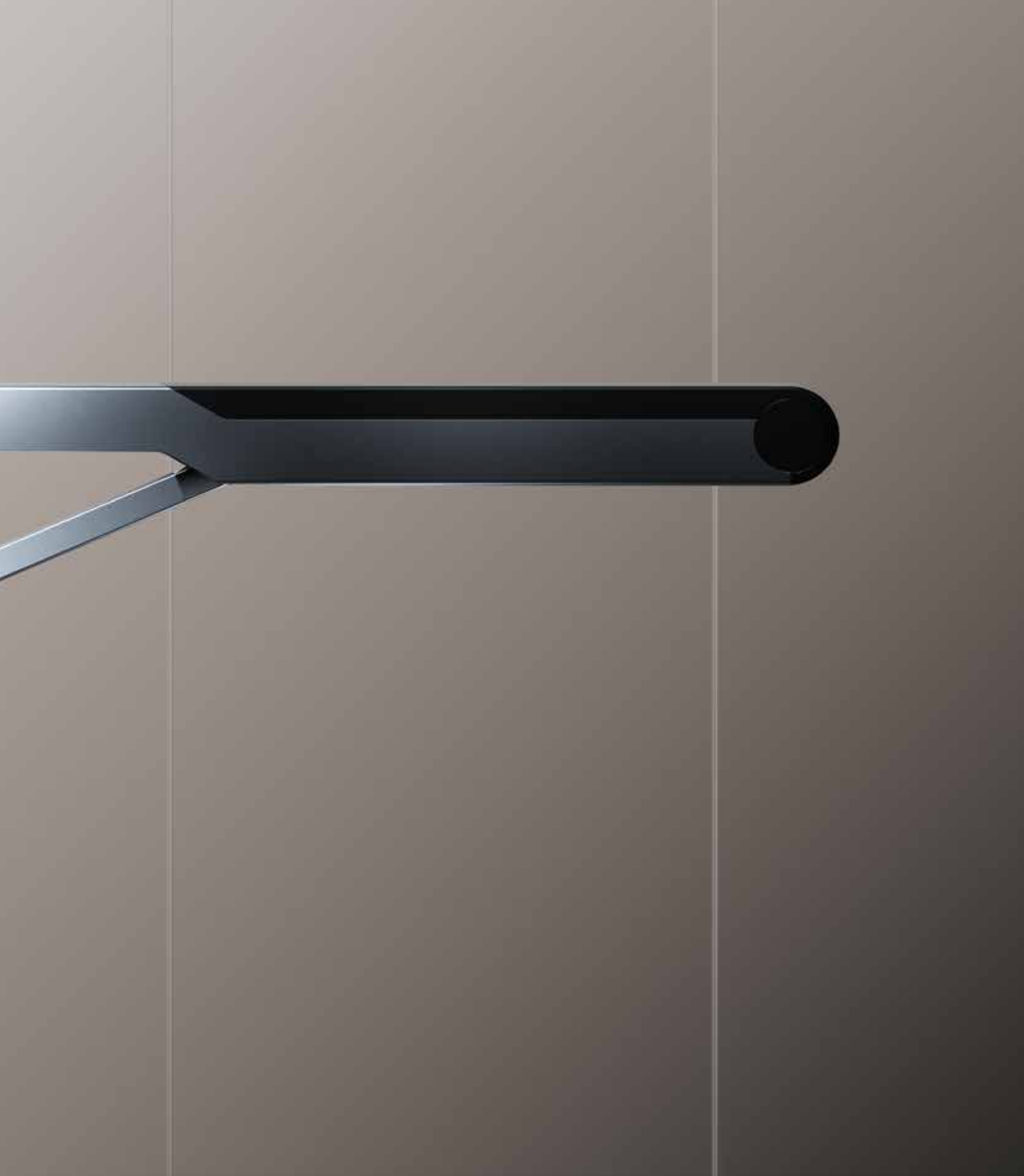




## DROP-DOWN SUPPORTING RAIL

Two different projections of 700 and 850 mm provide perfect security and support. With the large projection, the drop-down supporting rail is even suitable for larger wheelchair accessible WCs.





DROP-DOWN SUPPORTING RAIL





When folding up, the profiles of the drop-down supporting rail retract together. This produces the exceptionally flat, elegant look on the wall, reminiscent of a sculpture.





Despite the reduced design, its strength is guaranteed and certified with 115 kg load capacity: KEUCO AXESS drop-down supporting rails are tested by a technical inspection agency and certified according to DIN standard.

Attractive design with support you can rely on. A reduced design is what makes the rail system and grab bars of the KEUCO AXESS series so unique. The diverse assortment provides security and support for the shower, bathtub, washbasin and WC. Despite its enormous strength as handle and support, the design still radiates grace and elegance. But the design is also remarkable because of its high ergonomic quality.





## GRAB BAR

Sophisticated design: Aesthetic and functional harmony is expressed in the high gripping comfort - front flat, back formed as half circle - and strong mounting.







In the shower the railing system can be flexibly adapted to local conditions. The sliding rail for the hand shower also serves as reliable grab bar, conveying a constant sense of security.





With a simple press on the back, with only one hand the sliding bracket for the shower head can be released and slid up or down. For accessible use, the hand shower can be turned to the right and left in the bracket, and can be moved up and down in different lock-positions.





Security with beauty and comfort. Seating adds that special extra in comfort to the bathroom. Showering while sitting in particular is very comfortable and safe. The archetypal design of the stool lives up to a high standard: as reduced as possible, as safe as possible, and as comfortable as possible.







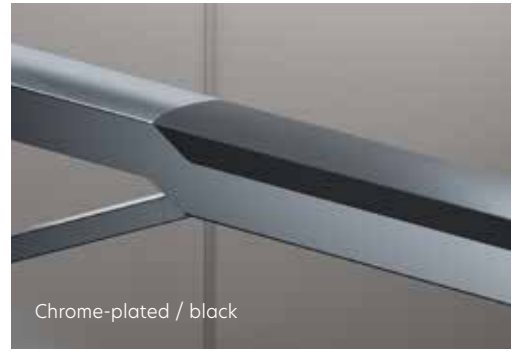
The somewhat outward-protruding legs with slip-resistant feet give the stool a solid and secure footing. With its slightly roughened, slip-resistant surface, the seat is pleasant to the touch and easy to clean. Under the shower, the water flows away directly through the small hole in the middle of the inwardly slightly concave seat.



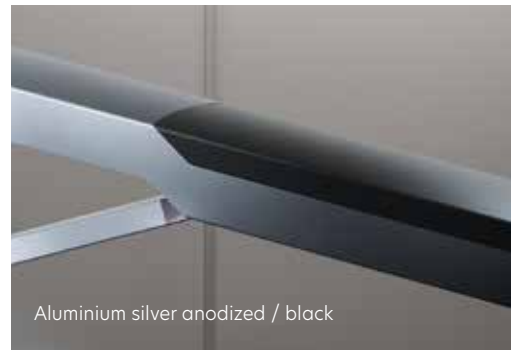




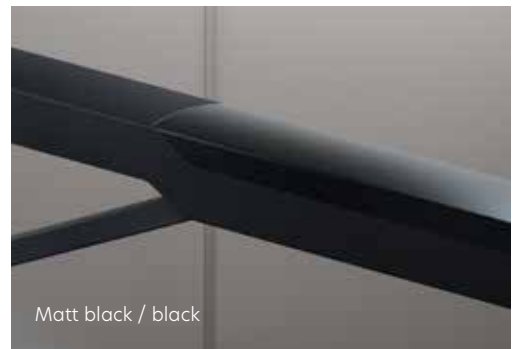
## TECHNICAL SPECIFICATIONS



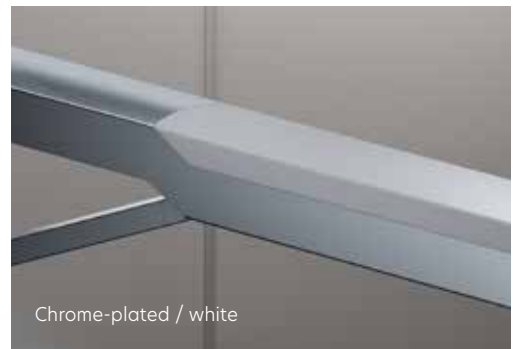
Chrome-plated / black



Aluminium silver anodized / black



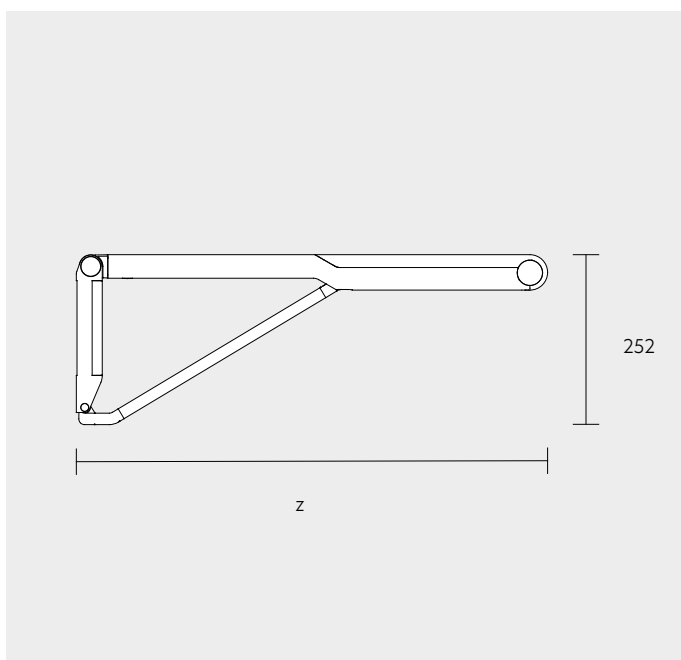
Matt black / black



Chrome-plated / white



Aluminium silver anodized / white



### Drop-down supporting rail 700 mm

Depth z: 700 mm

- Folds upwards
- Braked model
- Supporting surface plastic
- Mountable left and right
- Load capacity 115 kg

#### Bottom surface black:

Chrome-plated:  
**350 03 01 07 37**

Aluminium silver anodized:  
**350 03 17 07 37**

Matt black:  
**350 03 37 07 37**

#### Bottom surface white:

Chrome-plated:  
**350 03 01 07 51**

Aluminium silver anodized:  
**350 03 17 07 51**

### Drop-down supporting rail 850 mm

Depth z: 850 mm

- Folds upwards
- Braked model
- Supporting surface plastic
- Mountable left and right
- Load capacity 115 kg

#### Bottom surface black:

Chrome-plated:  
**350 03 01 08 37**

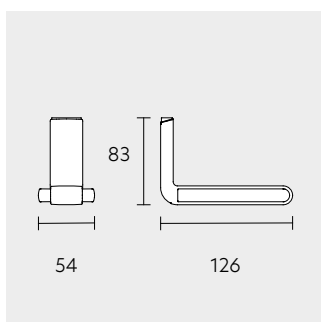
Aluminium silver anodized:  
**350 03 17 08 37**

Matt black:  
**350 03 37 08 37**

#### Bottom surface white:

Chrome-plated:  
**350 03 01 08 51**

Aluminium silver anodized:  
**350 03 17 08 51**



### Toilet paper holder

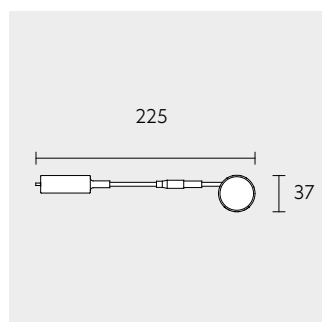
- For mounting on drop-down supporting rail
- With roll brake

Chrome-plated / black:  
**350 62 01 00 37**

Chrome-plated / white:  
**350 62 01 00 51**

Matt black:  
**350 62 37 00 37**

To match the design colour the optional and retrofittable toilet paper holder has a black or white roll brake.



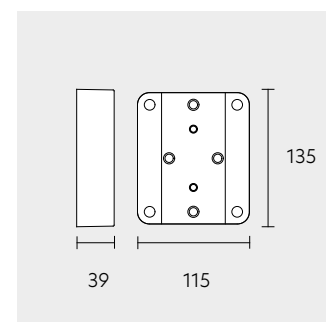
### Remote-controlled flush system

- For mounting on drop-down supporting rail
- Mountable left and right
- Included with product: Membrane button and battery power supply (SL 360 LTZ battery) suitable for: Geberit, Grohe, Sanit, Tece, Viega

Black: **350 90 01 00 37**

White: **350 90 01 00 51**

The optional and retrofittable remote-controlled flush system integrates aesthetically in the handle and is compatible over Bluetooth with systems of common manufacturers.



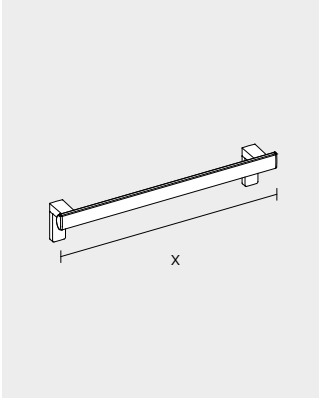
### Adapter plate

- optional solution to improve load distribution on the wall
- recommended for porous concrete, light concrete, drywall construction

Chrome-plated: **350 04 01 00 00**

Matt black: **350 04 37 00 00**

## TECHNICAL SPECIFICATIONS



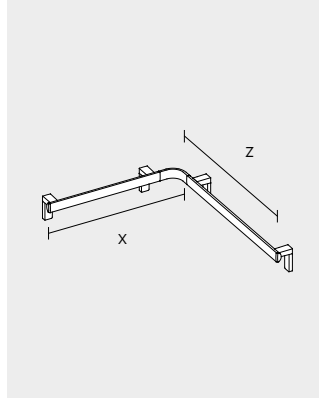
### Grab bar

Width x: 400 / 500 / 600 / 700 / 800 / 900 / 1000 mm

- For vertical or horizontal mounting
- Load capacity 115 kg
- Included with product: 2 x fastening set No. 1 each (Article No. **349 90 00 01 00**)

400 mm: **350 01 XX 04 00**  
 500 mm: **350 01 XX 05 00**  
 600 mm: **350 01 XX 06 00**  
 700 mm: **350 01 XX 07 00**  
 800 mm: **350 01 XX 08 00**  
 900 mm: **350 01 XX 09 00**  
 1000 mm: **350 01 XX 10 00**

The 1000 mm long model comes with a 3rd wall mounting (centre).

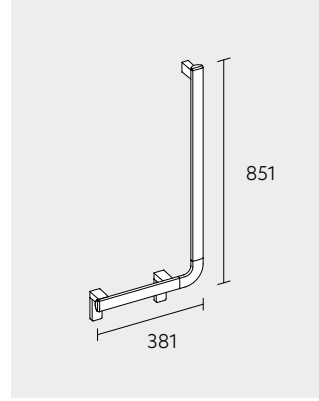


### Corner rail for shower/bath

Width x: 650 / 850 mm  
 Depth z: 650 / 850 mm

- Load capacity 115 kg
- Included with product: 3 x fastening set No. 1 (Article No. **349 90 00 01 00**)

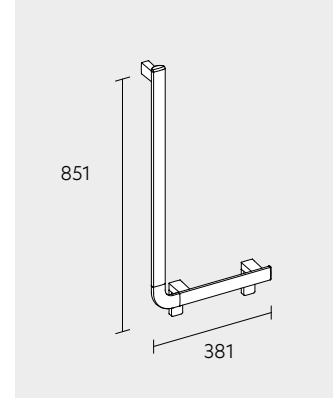
650 / 850 mm: **350 11 XX 68 01**  
 850 / 850 mm: **350 11 XX 88 00**  
 850 / 650 mm: **350 11 XX 86 02**



### Angle bar 90° right-hand model

- Load capacity 115 kg
- Included with product: 2 x fastening set No. 1 (Article No. **349 90 00 01 00**)

**350 06 XX 08 01**






### Angle bar 90° left-hand model

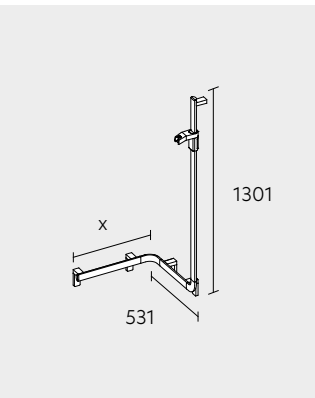
- Load capacity 115 kg
- Included with product: 2 x fastening set No. 1 (Article No. **349 90 00 01 00**)

**350 06 XX 08 02**

#### Surfaces

When ordering, instead of the **XX** placeholder, insert the colour number of the desired surface in the article number.

-  **01** Chrome-plated
-  **17** Aluminium silver anodized
-  **37** Matt black

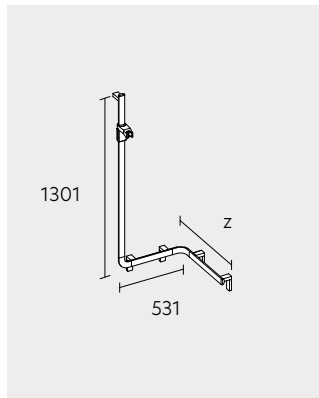


### Rail system right-hand model

Width x: 550 / 850 mm

- With sliding bracket for shower head
- Load capacity 115 kg
- Included with product: 3 x fastening set No. 1 (Article No. **349 90 00 01 00**)

550 mm: **350 08 XX 66 01**  
 850 mm: **350 08 XX 86 01**

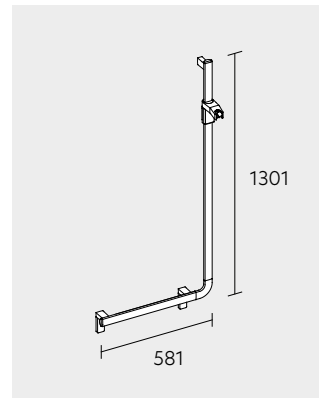


### Rail system left-hand model

Depth z: 550 / 850 mm

- With sliding bracket for shower head
- Load capacity 115 kg
- Included with product: 3 x fastening set No. 1 (Article No. **349 90 00 01 00**)

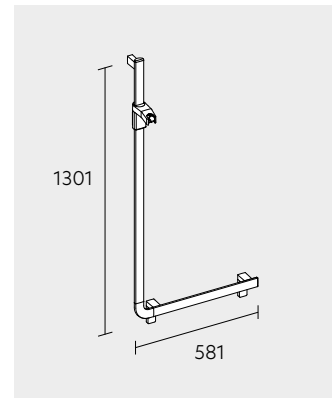
550 mm: **350 08 XX 66 02**  
 850 mm: **350 08 XX 86 02**



### Angle bar 90° Hand shower sliding rail, right-hand model

- With sliding bracket for shower head
- Load capacity 115 kg
- Included with product: 2 x fastening set No. 1 (Article No. **349 90 00 01 00**)

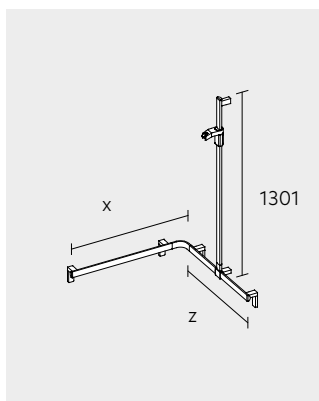
**350 06 XX 13 01**



### Angle bar 90° Hand shower sliding rail, left-hand model

- With sliding bracket for shower head
- Load capacity 115 kg
- Included with product: 2 x fastening set No. 1 (Article No. **349 90 00 01 00**)

**350 06 XX 13 02**



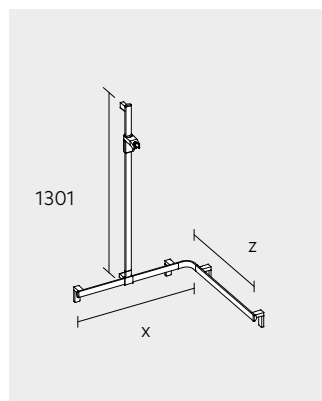
### Rail system right-hand model

Width x: 850 / 1150 / 1500 mm  
Depth z: 850 / 1150 / 1500 mm

- Can be used on right or left as desired
- Hand shower sliding rail freely positionable before mounting
- Load capacity 115 kg
- Included with product:  
4 x fastening set No. 1  
(Article No. **349 90 00 01 00**)

#### Width x / Depth z:

850 / 850 mm: **350 15 XX 01 01**  
1150 / 850 mm: **350 15 XX 02 01**  
850 / 1150 mm: **350 15 XX 03 01**  
1500 / 1500 mm: **350 15 XX 04 01**



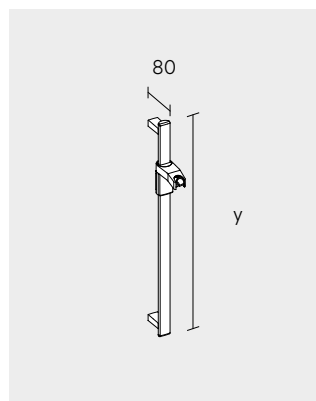
### Rail system left-hand model

Width x: 850 / 1150 / 1500 mm  
Depth z: 850 / 1150 / 1500 mm

- Can be used on right or left as desired
- Hand shower sliding rail freely positionable before mounting
- Load capacity 115 kg
- Included with product:  
4 x fastening set No. 1  
(Article No. **349 90 00 01 00**)

#### Width x / Depth z:

850 / 850 mm: **350 15 XX 01 02**  
1150 / 850 mm: **350 15 XX 02 02**  
850 / 1150 mm: **350 15 XX 03 02**  
1500 / 1500 mm: **350 15 XX 04 02**

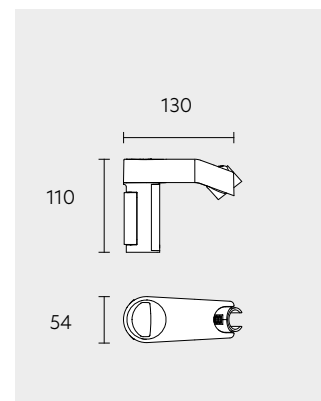


### Hand shower sliding rail

Height y: 800 / 900 / 1000 mm

- With sliding bracket for shower head
- Load capacity 115 kg
- Included with product:  
2 x fastening set No. 1  
(Article No. **349 90 00 01 00**)

800 mm: **350 12 XX 08 00**  
900 mm: **350 12 XX 09 00**  
1000 mm: **350 12 XX 10 00**

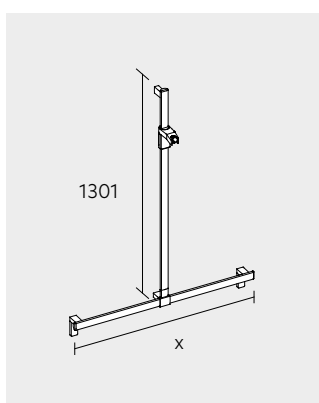


### Sliding bracket for shower head

- For mounting on hand shower sliding rail and angle bars
- Height-adjustable
- Pivotable

Chrome-plated: **350 10 01 01 00**

Matt black: **350 10 37 01 00**

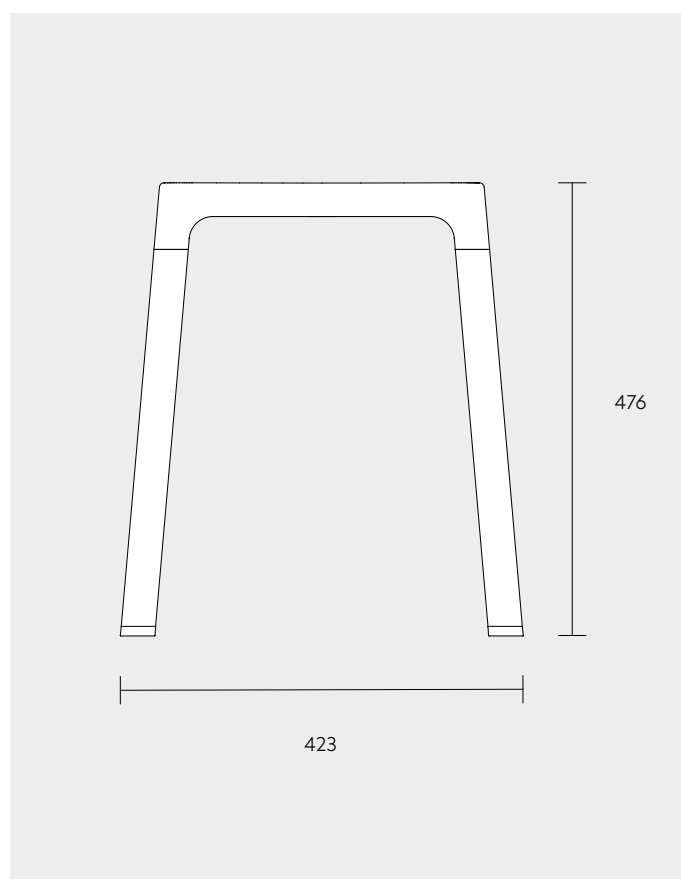


### Rail system

Width x: 700 / 1000 / 1150 mm

- With sliding bracket for shower head
- Hand shower sliding rail freely positionable before mounting
- Load capacity 115 kg
- Included with product:  
2 x fastening set No. 1  
(Article No. **349 90 00 01 00**)

700 mm: **350 14 XX 70 13**  
1000 mm: **350 14 XX 10 13**  
1150 mm: **350 14 XX 12 13**



### Bathroom stool

- Suitable for wet areas
- Seat area: 338 mm
- Frame with slip-resistant leg tips
- Load capacity 150 kg

#### Black seat surface:

Chrome-plated:  
**350 82 01 00 37**

Aluminium silver anodized:  
**350 82 17 00 37**

Matt black:  
**350 82 37 00 37**

#### White seat surface:

Chrome-plated:  
**350 82 01 00 51**

Aluminium silver anodized:  
**350 82 17 00 51**

# KEUCO

KEUCO GmbH & Co. KG  
PO Box 1365  
D-58653 Hemer  
Phone +49 2372 904-0  
Fax +49 2372 904-236  
[info@keuco.de](mailto:info@keuco.de)

KEUCO UK Ltd.  
57 Sheffield Road  
Dronfield  
Derbyshire  
S18 2GF  
Phone +44 14 42 - 86 52 20  
[info@keuco.co.uk](mailto:info@keuco.co.uk)

KEUCO Acia Pacific, Middle East  
Martin Hoffmann  
Phone +65 8322 76 96  
[martin.hoffmann@keuco.com](mailto:martin.hoffmann@keuco.com)

[keuco.com](http://keuco.com)