

ASHTON & BENTLEY



BEAUTIFUL BATHS INDIVIDUALLY CRAFTED



CONTENTS

INSPIRED BY NATURE

Welcome to Ashton & Bentley. We have created a bath collection which we believe is unequalled in quality. Innovative design and craftsmanship is central to Ashton & Bentley's ethos of creating beautiful and elegant baths.

Ashton & Bentley is a brand and a company that are constantly evolving to reflect the lifestyles of our customers.

Made in England	05	Lefka	38-39
Correro™ – Inspired by Nature	07	Onis	40-41
Orpheus	08-09	Othello	42-43
Cella	10-11	Alessa	44-45
Ithica	12-13	Corinthian	46-47
Aegean	14-15	Corinthian with Tap Ledge	48-49
Grand Aegean	16-17	Athena	50-51
Zeus	18-19	Eco Controlled Overflow - ECO	52-53
Isis	20-21	Bath Specifications	54-62
Olympia Overflow	22-23	Basins	62-68
Artemis	24-25	Factory Finished Colours	69
Vasili	26-27	Factory Finishes	70-71
Petra	28-29	Organic Técnica	72-95
Olympia	30-31	Care & Maintenance	96
Azzure	32-33	Fitting Instructions	97
Nisou	34-35	Guarantee, Terms & Conditions	98
Xinia	36-37		



ASHTON & BENTLEY

MADE IN ENGLAND

At Ashton & Bentley we have brought back time-honoured skills by designing and manufacturing our entire freestanding bath collection in our English factory.

Beautiful baths individually crafted. This is English innovation at its best. Utilising the latest computer aided technology and the meticulous use of modern materials, together personify the essence of Ashton & Bentley.

With our exclusive material Correro™ we have harnessed the thermal properties of organic limestone and pure white marble. This unique composite material is beautiful, hard wearing, luxurious and practical, which allows bath water to stay warmer for longer.

Our timeless baths, hand-polished by skilled craftsmen in a variety of different finishes, remind England to be proud of its manufacturing heritage.





CORRERO™

INSPIRED BY NATURE

Correro™ is a matrix exclusive to Ashton & Bentley, which is rich in organic minerals. The material is long lasting, elegant and hygienic, with wonderful thermal properties.

Correro™ is inherently “renewable” because it is solid and homogenous. Most everyday marks or scratches can be repaired to restore the bath to its original smooth, hygienic solid surface integrity.

The amalgam of organic minerals and high tech resins, result in a mineral that is both durable and hard wearing, with a luxurious finish that retains water temperature longer.



ORPHEUS

THE IONIC RANGE

The bold profile of the Orpheus bath masters understated contemporary elegance. The strength of the design is achieved through uncomplicated lines and gentle organic curves that marry to create this timeless modern classic.



Recommended Hand Wash Basin – Neo
See page 67.

Dimensions:

L 1500mm x W 740mm x H 642mm

Bath Weight:

146 Kilos (approx)

Technical Specification:

This bath requires a slotted click up waste.
See page 54 for technical drawing.

Finishes:

-  White Gloss
-  White Matt
-  Molten Metal
-  Exterior Colours Available



CELLA

THE IONIC RANGE

Enveloping lines define the curves of this bath with a 10mm edge created by using the Ashton and Bentley Correro material. The sophisticated and dynamic sculpture adds elegance to any bathroom.



Recommended Hand Wash Basin – Cella
See page 67.

Dimensions:

L 1500mm x W 780mm x H 509mm
L 1765mm x W 837mm x H 509mm

Bath Weight:

1500 – 70 Kilos (approx)
1765 – 98 Kilos (approx)

Technical Specification:

This bath requires an un-slotted waste.
See page 54 for technical drawing.

Finishes:



White
Gloss



White
Matt



Molten
Metal



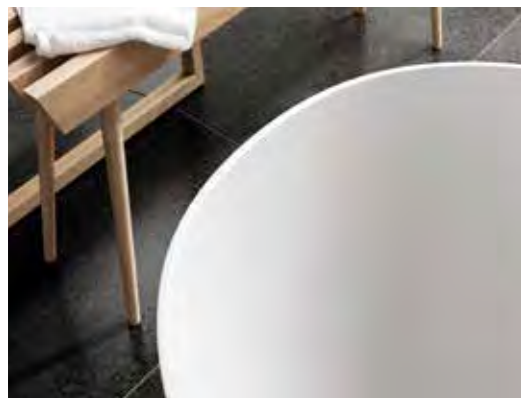
Exterior
Colours
Available



ITHICA

THE IONIC RANGE

The graceful geometry of the 10mm rim Ithica bath achieves a gracefulness to define any bathroom. A simple yet striking design.



Recommended Hand Wash Basin – Ithica
See page 67.

Dimensions:

L 1500mm x W 724mm x H 580mm
L 1670mm x W 723mm x H 580mm

Bath Weight:

1500 – 110 Kilos (approx)
1670 – 120 Kilos (approx)

Technical Specification:

This bath requires a slotted waste.
See pages 55 for technical drawing.

Finishes:



White
Gloss



White
Matt



Molten
Metal



Exterior
Colours
Available



AEGEAN

THE CONTEMPORARY RANGE

Let your mind drift in the Aegean. The classic French Bateau energised with contemporary lines. Pre drilled overflow available upon request.



Recommended Hand Wash Basin – Corinthian
see page 63.

Dimensions:

L 1700mm x W 715mm x H 710mm

Bath Weight:

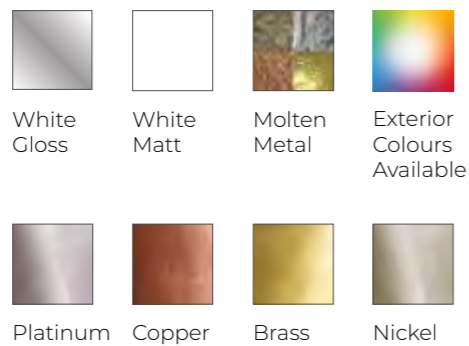
71 Kilos (approx)

Technical Specification:

Un-drilled requires an unslotted waste.
Pre-drilled requires an exposed waste kit.
See page 55 for technical drawing.

Please refer to page 70 for more
information regarding the metal finishes.

Finishes:



GRAND AEGEAN

THE CONTEMPORARY RANGE

Our wonderful Aegean bath available in a larger size with the same beautiful lines. Pre-drilled overflow available upon request.



Recommended Hand Wash Basin – Corinthian
see page 63.

Dimensions:

L 1800mm x W 800mm x H 710mm

Bath Weight:

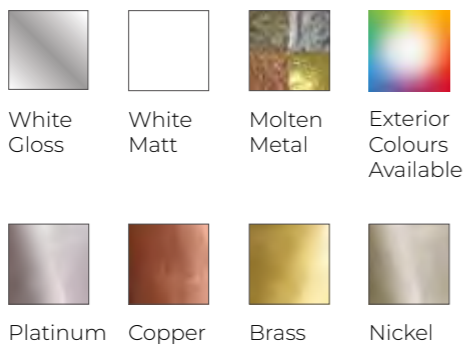
90 Kilos (approx)

Technical Specification:

Un-drilled requires an unslotted waste.
Pre-drilled requires an exposed waste kit.
See page 56 for technical drawing.

Please refer to page 70 for more
information regarding the metal finishes.

Finishes:



ZEUS

THE CONTEMPORARY RANGE

Bold and glorious, the Zeus has rich opulent lines designed for sumptuous bathing. This imposing design has a 50mm thick body tapering to 40mm at the sides to provide the most luxurious and relaxing experience.



Recommended Hand Wash Basin – Apollo
See page 63.

Dimensions:

L1850mm x W 900mm x H 525mm

Bath Weight:

110 Kilos (approx)

Technical Specification:

This bath requires an un-slotted waste.
See page 56 for technical drawing.

Finishes:



White
Gloss



White
Matt



Molten
Metal



Exterior
Colours
Available



ISIS

THE CONTEMPORARY RANGE

This enchanting bath has been meticulously contoured to create the ultimate in bathing comfort and bathroom centre piece.



Recommended Hand Wash Basin – Isis
See page 64.

Dimensions:

L 1726mm x W 827mm x H 825mm

Bath Weight:

88 Kilos (approx)

Technical Specification:

This bath requires an un-slotted waste.
See page 56 for technical drawing.

Finishes:



White
Gloss



White
Matt



Molten
Metal



Exterior
Colours
Available



OLYMPIA WITH OVERFLOW

THE CONTEMPORARY RANGE

The sophisticated design of the Olympia has been enhanced with the addition of an internal overflow.



Recommended Hand Wash Basin – Olympia
See page 64.

Dimensions:

L 1500mm x W 820mm x H 525mm
L 1800mm x W 880mm x H 525mm

Bath Weight:

87.5 Kilos (approx) – 1500
99.5 Kilos (approx) – 1800

Technical Specification:

This bath requires a slotted waste.
See page 57 for technical drawing.

Finishes:



White
Gloss



White
Matt



Molten
Metal



Exterior
Colours
Available



ARTEMIS

THE CONTEMPORARY RANGE

The deep soft curves of the rectangular Artemis bath not only provide optimum comfort and support, they also lend a unique and contemporary sophistication to a bathroom. Perfect for creating a sense of serenity in a scheme.



Recommended Hand Wash Basin – Fili
See page 68.

Dimensions:

L 1742mm x W 777mm x H 610mm

Bath Weight:

125 Kilos (approx)

Technical Specification:

This bath requires a brass click up or white cap waste. See page 57 for technical drawing.

Finishes:



White
Gloss



White
Matt



VASILI

THE CONTEMPORARY RANGE

Minimalist elegance culminating in a soft roll top. The delicate lines of the Vasili are unequalled, embracing both classic and modern design, suitable for any architectural period. Pre-drilled overflow available upon request.



Recommended Hand Wash Basin – Delphi
See page 63.

Dimensions:

L 1692mm x W 721mm x H 590mm

Bath Weight:

97 Kilos (approx)

Technical Specification:

Un-drilled requires an unslotted waste.
Pre-drilled requires an exposed waste kit.
See page 57 for technical drawing.

Finishes:



White
Gloss



White
Matt



PETRA

THE CONTEMPORARY RANGE

The Petra exemplifies luxury from every angle. A unique twin shell design with an impressive 80mm rim made possible with the exceptional properties of Correro material. This beautiful bath maximises comfort for complete relaxation in the bathroom.



Recommended Hand Wash Basin – Petra
See page 65.

Dimensions:

L 1760mm x W 1000mm x H 580mm
L 1935mm x W 1145mm x H 580mm

Bath Weight:

1760 – 120 Kilos (approx)
1935 – 195 Kilos (approx)

Technical Specification:

This bath requires an un-slotted waste.
See page 58 for technical drawing.

Finishes:



White
Matt



Molten
Metal



OLYMPIA

THE CONTEMPORARY RANGE

The imposing design and comfort of the Zeus has inspired the creation of the Olympia, the body has been remodelled to create a slender bath full of character.



Recommended Hand Wash Basin – Olympia
See page 64.

Dimensions:

L 1790mm x H 870mm x W 525mm

Bath Weight:

94 Kilos (approx)

Technical Specification:

This bath requires an un-slotted waste.
See page 58-59 for technical drawing.

Finishes:



White
Gloss



White
Matt



Molten
Metal



Exterior
Colours
Available



AZZURE

THE CONTEMPORARY RANGE

The Azzure has been created to reflect the Art Deco period, designed with a delicate detailed rim and tap ledge. The overflow hole is drilled as standard, tap holes can be drilled upon request.



Recommended Hand Wash Basin – Corinthian
See page 63.

Dimensions:

L 1730mm x W 800mm x H 647mm

Bath Weight:

66.5 Kilos (approx)

Technical Specification:

Pre-drilled overflow exposed
waste kit required. See page 59
for technical drawing.

Finishes:



White
Gloss



White
Matt



Molten
Metal



Exterior
Colours
Available



NISOU

THE EXECUTIVE RANGE

The Nisou has been designed with geometric lines that flow effortlessly throughout. These commanding lines are perfect for the modern bathroom. Pre drilled overflow available upon request.



Recommended Hand Wash Basin – Zoi
See page 65.

Dimensions:

L 1714mm x H 694mm x W 619mm

Bath Weight:

97 Kilos (approx)

Technical Specification:

Un-drilled requires an unslotted waste.
Pre-drilled requires an exposed waste kit.
See page 59 for technical drawing.

Finishes:



White
Gloss



White
Matt



Molten
Metal



Exterior
Colours
Available



XINIA

THE EXECUTIVE RANGE

Inspired by nature's perfect design. This sleek and elegant shape adds elegance and luxury to any bathroom.



Recommended Hand Wash Basin – Kos
See page 64.

Dimensions:

L 1800mm x W 840mm x H 459mm

Bath Weight:

63 Kilos (approx)

Technical Specification:

This bath requires an un-slotted waste.
See page 60 for technical drawing.

Finishes:



White
Gloss



White
Matt



Molten
Metal



Exterior
Colours
Available



LEFKA

THE EXECUTIVE RANGE

Ergonomically designed to embrace you in a luxurious soak. Small and compact the Lefka adds distinction to smaller bathrooms.



Recommended Hand Wash Basin – Lefka
See page 65.

Dimensions:

L 1590mm x W 820mm x H 575mm

Bath Weight:

71 Kilos (approx)

Technical Specification:

This bath requires an un-slotted waste.
See page 60 for technical drawing.

Finishes:



White
Gloss



White
Matt



Molten
Metal



Exterior
Colours
Available



ONIS

THE EXECUTIVE RANGE

Inspired by nature, this exquisite and striking design will be the focal point of any bathroom. The Onis incorporates a plinth design which is now available in white and a variety of different metal finishes to add that extra sophistication.



Recommended Hand Wash Basin – Eos
See page 64.

Dimensions:

L 1800mm x W 840mm x H 475mm

Bath Weight:

71 Kilos (approx)

Technical Specification:

This bath requires an un-slotted waste.
See page 60 for technical drawing.

Please refer to page 70 for more
information regarding the metal finishes.

Finishes:



White
Gloss



White
Matt



Molten
Metal



Exterior
Colours
Available

Available Plinth Finishes:



White



Platinum



Copper



Brass



Nickel



OTHELLO

THE EXECUTIVE RANGE

Designed with a raised plinth, the Othello seems to elevate above the surface, it comes with an integral tap ledge. Pre drilled overflow available upon request.



Recommended Hand Wash Basin – Corinthian
See page 63.

Dimensions:

L 1750mm x W 795mm x H 600mm

Bath Weight:

66.5 Kilos (approx)

Technical Specification:

Un-drilled requires an unslotted waste.
Pre-drilled requires an exposed waste kit.
See page 61 for technical drawing.

Finishes:



White
Gloss



Molten
Metal



Exterior
Colours
Available



ALESSA

THE EXECUTIVE RANGE

This delightful 1550mm bath adds grace and elegance to any bathroom setting. With an integral tap ledge. The overflow hole is drilled as standard, tap holes can be drilled upon request.



Recommended Hand Wash Basin – Corinthian
See page 63.

Dimensions:

L 1550mm x W 800mm x H 647mm

Bath Weight:

59.3 Kilos (approx)

Technical Specification:

Pre-drilled overflow waste kit required.
See page 61 for technical drawing.

Please refer to page 70 for more information regarding the metal finishes.

Finishes:



White
Gloss



White
Matt



Molten
Metal



Exterior
Colours
Available



Platinum



Copper



Brass



Nickel



CORINTHIAN

THE EXECUTIVE RANGE

A classically shaped bath with a graceful roll top and beautiful ball and claw feet. The overflow hole is drilled as standard.



Recommended Hand Wash Basin – Corinthian
See page 63.

Dimensions:

L 1756mm x W 800mm x H 647mm

Bath Weight:

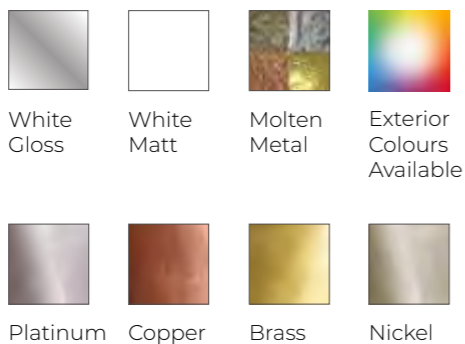
68 Kilos (approx)

Technical Specification:

Pre-drilled overflow waste kit required.
See page 61 for technical drawing.

Please refer to page 70 for more
information regarding the metal finishes.

Finishes:



CORINTHIAN WITH TAP LEDGE

THE EXECUTIVE RANGE

A remarkable focal point for your bathroom. This classically shaped bath, with its graceful roll top and beautiful ball and claw feet, also available with an integral tap ledge. The overflow hole is drilled as standard, tap holes can be drilled upon request.



Recommended Hand Wash Basin – Corinthian
See page 63.

Dimensions:

L 1756mm x W 800mm x H 647mm

Bath Weight:

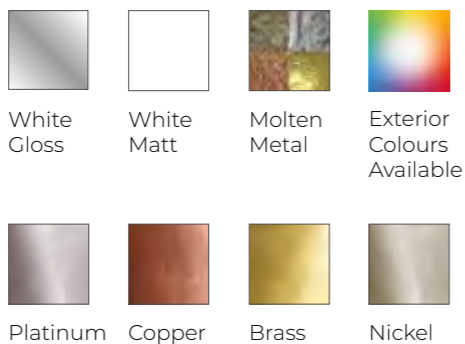
72 Kilos (approx)

Technical Specification:

Pre-drilled overflow waste kit required.
See page 61 for technical drawing.

Please refer to page 70 for more
information regarding the metal finishes.

Finishes:



ATHENA

THE EXECUTIVE RANGE

The Athena comes in a stunning slipper-shaped form with roll-top edges and beautiful ball and claw feet. The overflow hole is drilled as standard.



Recommended Hand Wash Basin – Corinthian
See page 63.

Dimensions:

L 1540mm x W 750mm x H 760mm

Bath Weight:

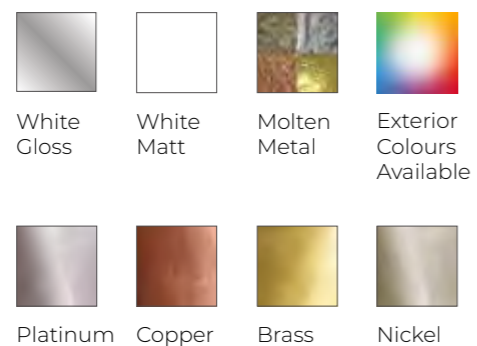
61 Kilos (approx)

Technical Specification:

Pre-drilled overflow waste kit required.
See page 62 for technical drawing.

Please refer to page 70 for more
information regarding the metal finishes.

Finishes:



ECO CONTROLLED OVERFLOW™

(ECO)

At Ashton and Bentley we appreciate that it is the small things that make the big differences – with this in mind we have worked tirelessly to develop a unique product that works with the environment.

Increases in population and changes in lifestyle, together with climate change, mean that we need to design with the future in mind. While the bathroom may only take up a fraction of space in your home, it is often the area where water is used freely. We have spent our time discussing with our customers, architects, hoteliers and local authorities the need for saving water whilst at the same time not compromising a relaxing bathing experience. Working closely with specialist British engineers we have created the Eco Controlled Overflow. An invisible overflow that manages the volume of water in our baths to a level set and adjusted by you.

Ashton and Bentley have redesigned a number of our baths to use with the exclusive Eco controlled overflow, seamlessly blending sustainability and luxury without compromising the aesthetics of the product.

Using a fully functioning overflow with water saving technology gives the customer reassurance against potentially expensive accidents, as the overflow uses the latest full bore pipe work. Architects can be reassured that they can meet all water by-law regulations while still providing a contemporary modern designed bathroom.

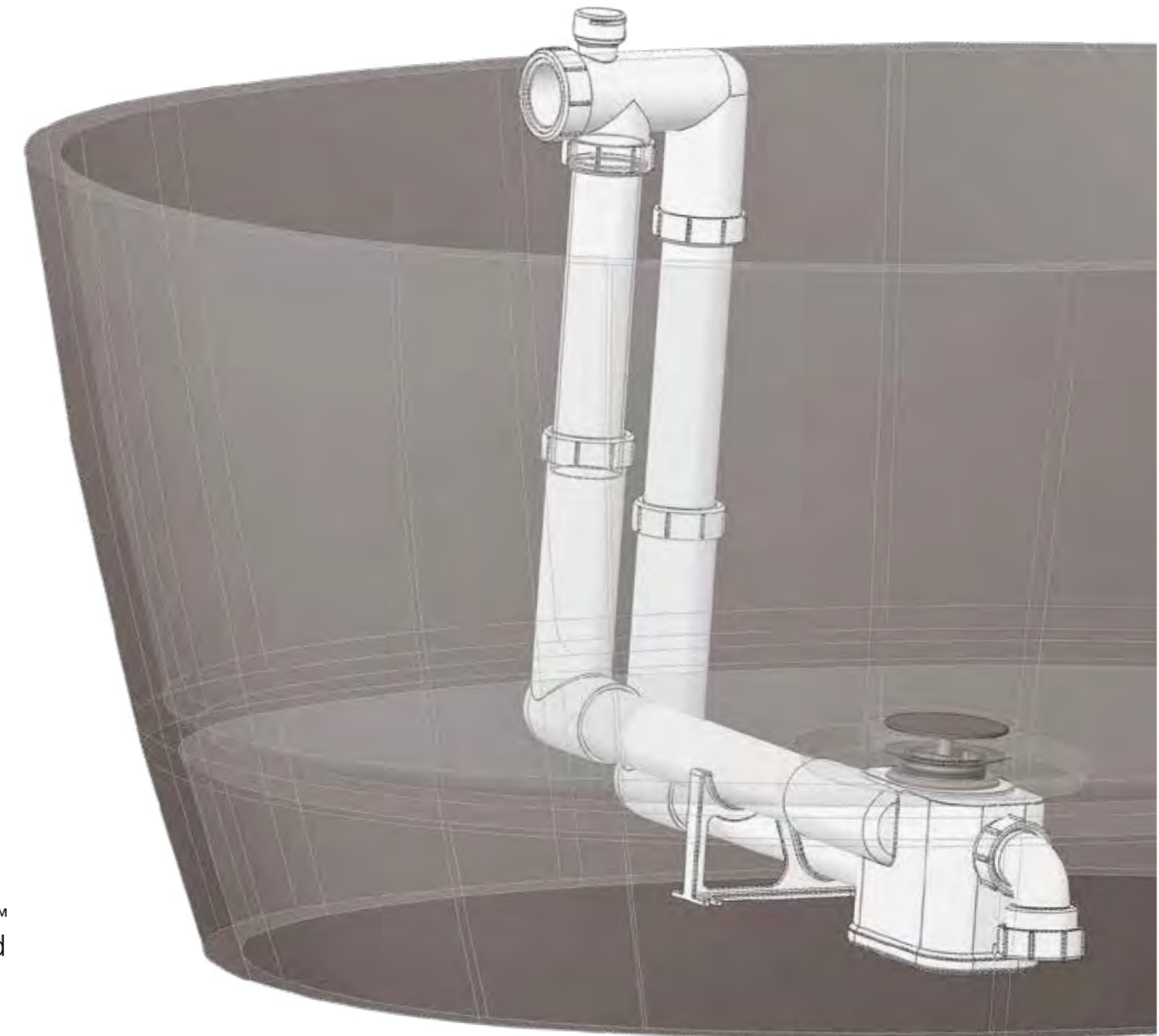
Bathrooms make up a significant proportion of a hotel's total water and energy consumption, making bathrooms a major focus for hoteliers looking not only to reduce costs but also to minimize their environmental impact. Environmental concerns need to be balanced with the needs of guests and the aesthetics of design.

Eco does just that. It protects the establishment from costly and inefficient overflow products whilst controlling the amount of water used in the bath.

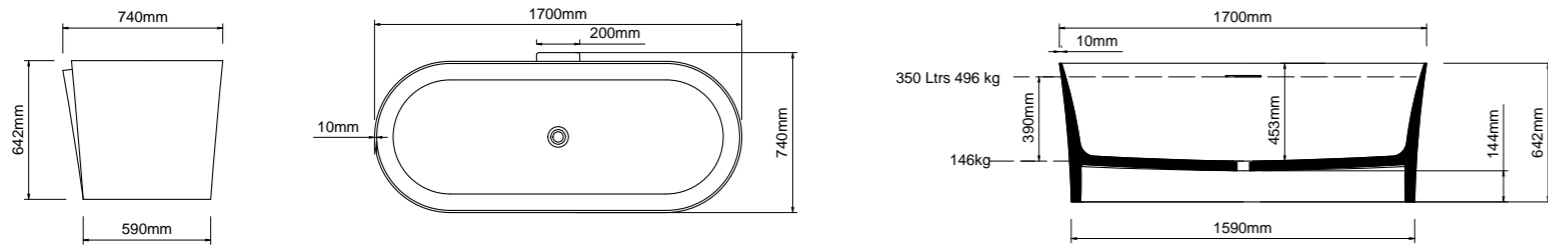
We at Ashton and Bentley have produced the perfect solution that will meet the requirement of any establishment protecting your home and your future.

Ashton and Bentley ECO comfortably conserving the planet for you.

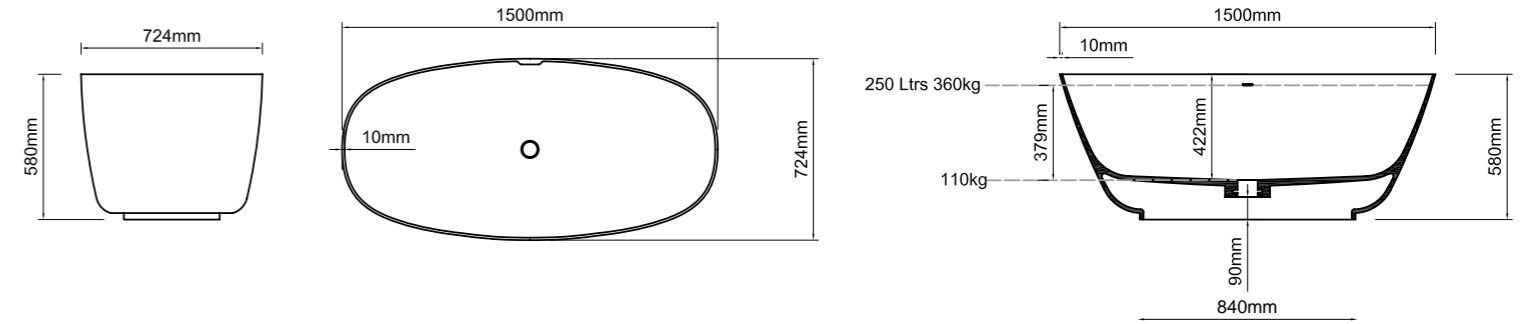
Eco™ Eco™
Controlled
Overflow



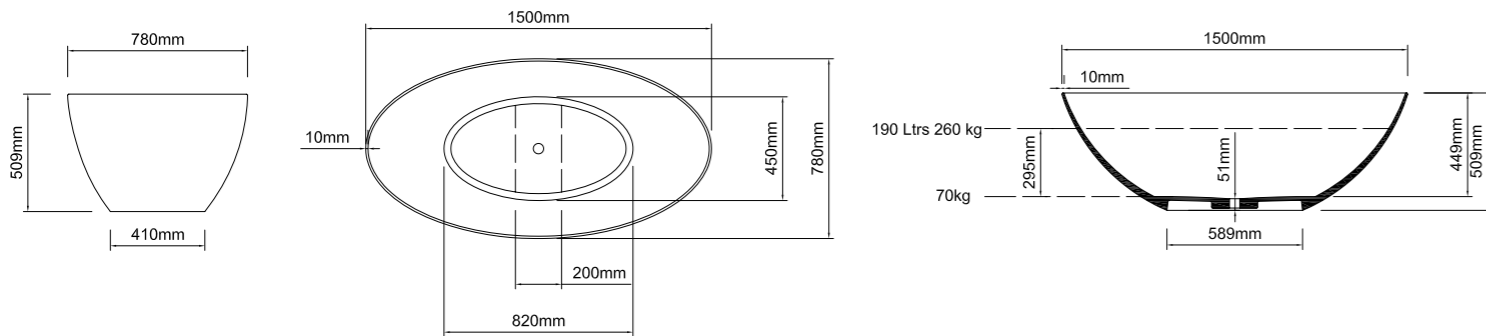
ORPHEUS (1700) THE IONIC RANGE



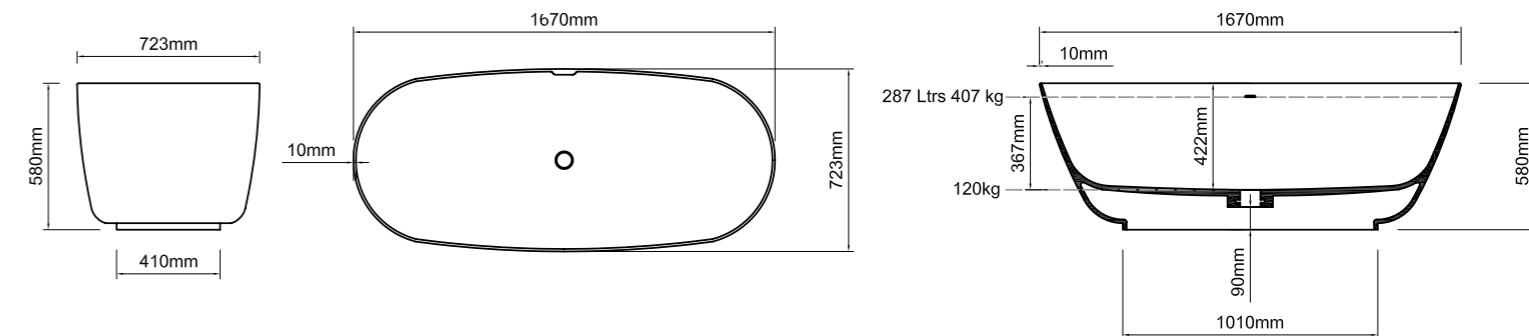
ITHICA (1500) THE IONIC RANGE



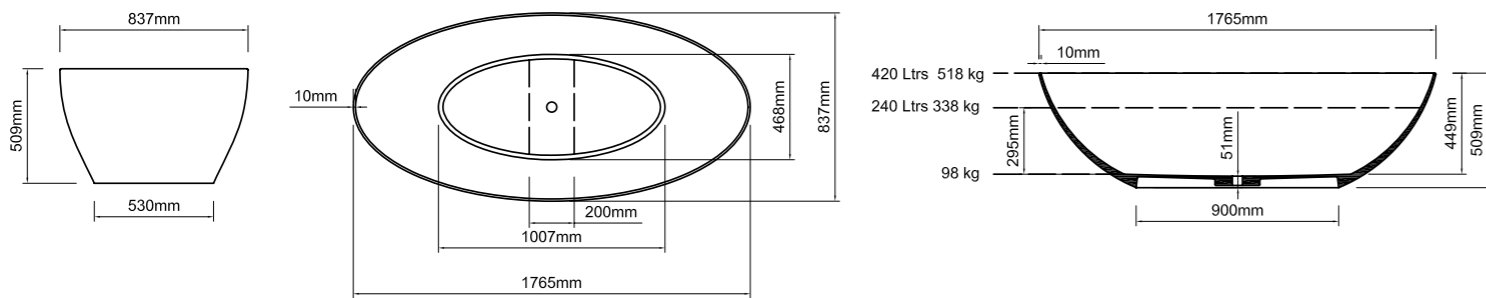
CELLA (1500) THE IONIC RANGE



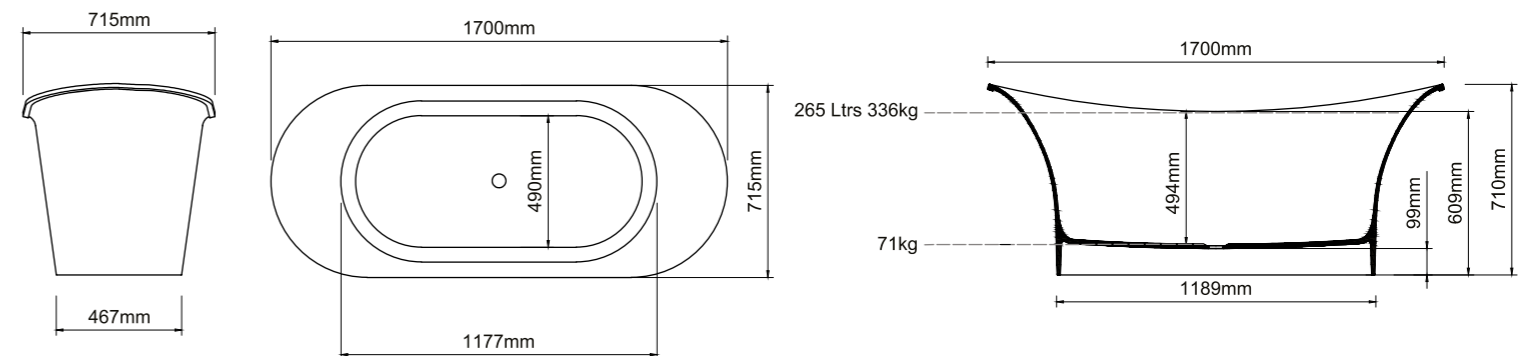
ITHICA (1680) THE IONIC RANGE



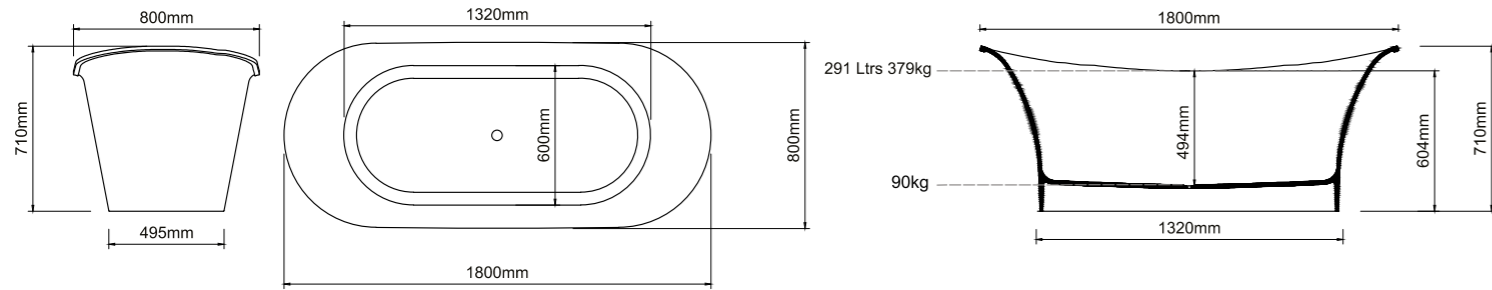
CELLA (1800) THE IONIC RANGE



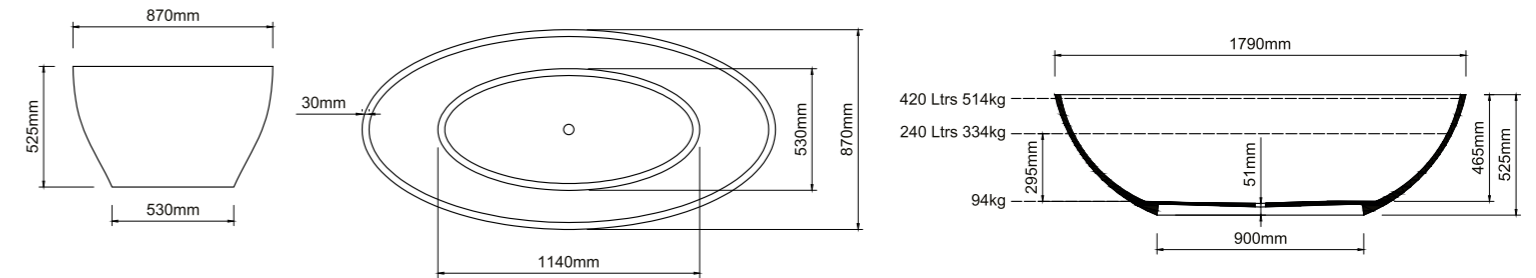
AEGEAN THE CONTEMPORARY RANGE



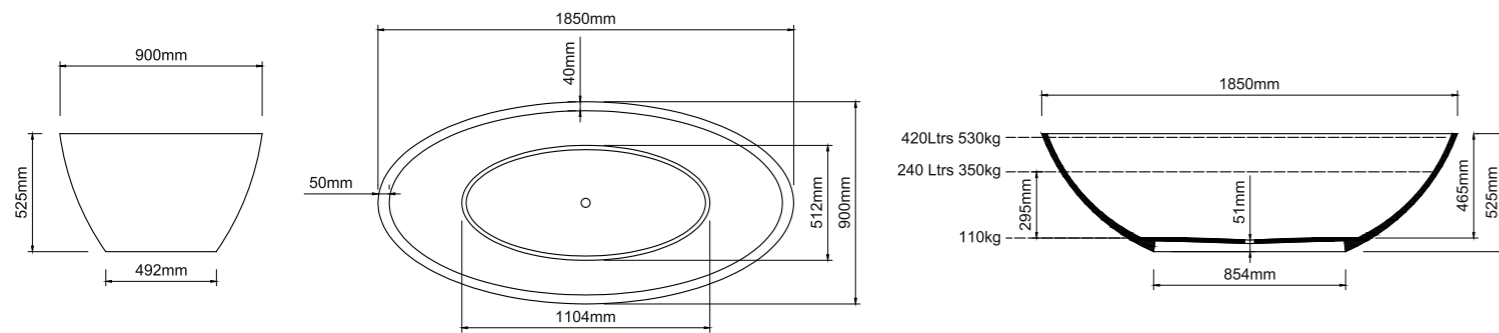
GRAND AEGEAN THE CONTEMPORARY RANGE



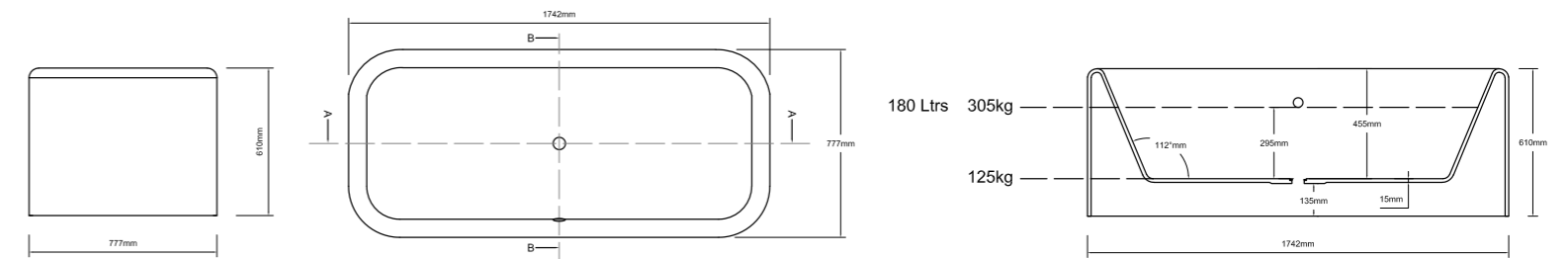
OLYMPIA WITH OVERFLOW THE CONTEMPORARY RANGE



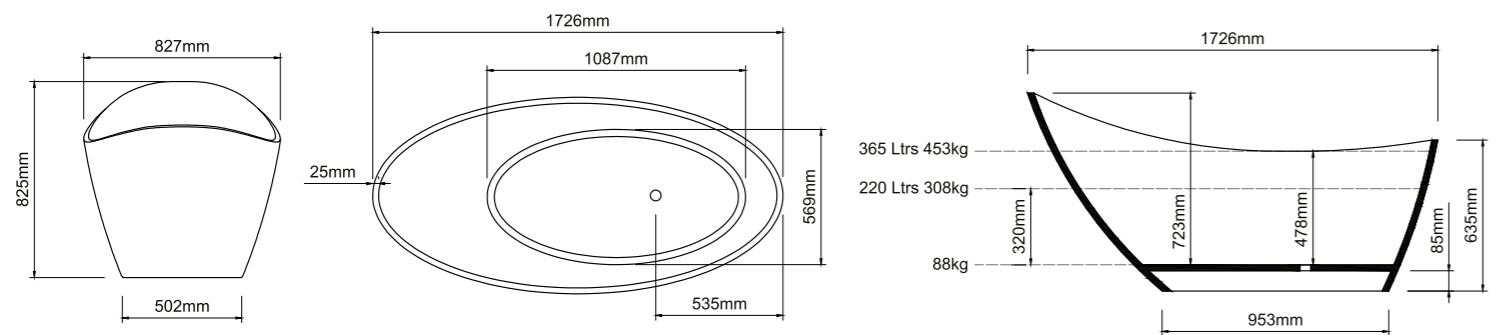
ZEUS THE CONTEMPORARY RANGE



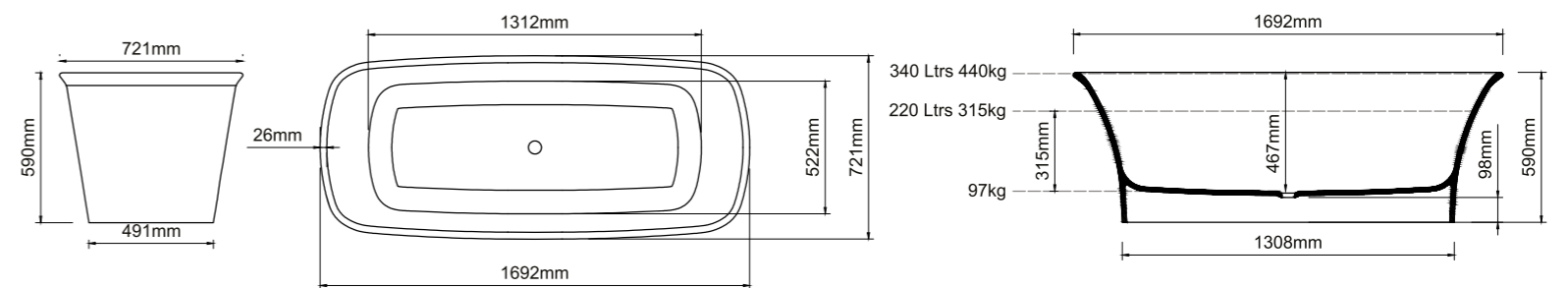
ARTEMIS THE CONTEMPORARY RANGE



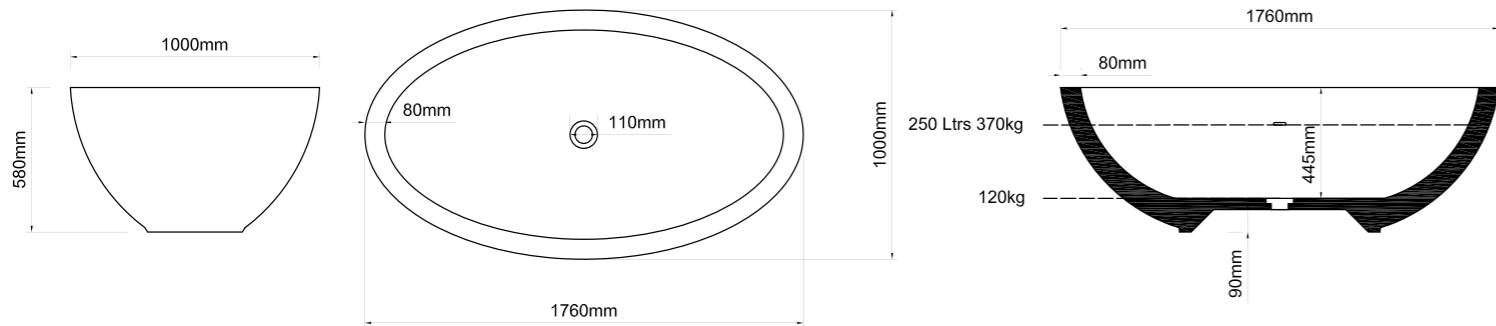
ISIS THE CONTEMPORARY RANGE



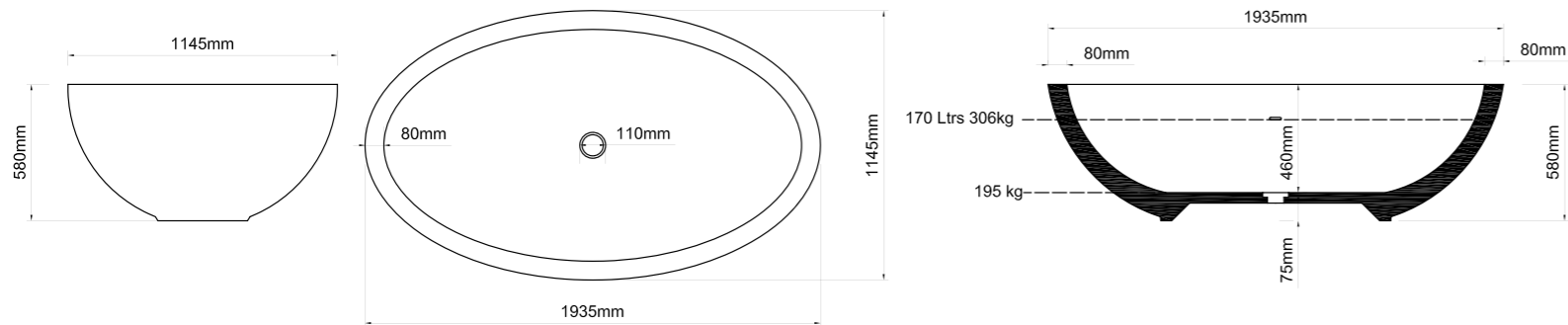
VASILI THE CONTEMPORARY RANGE



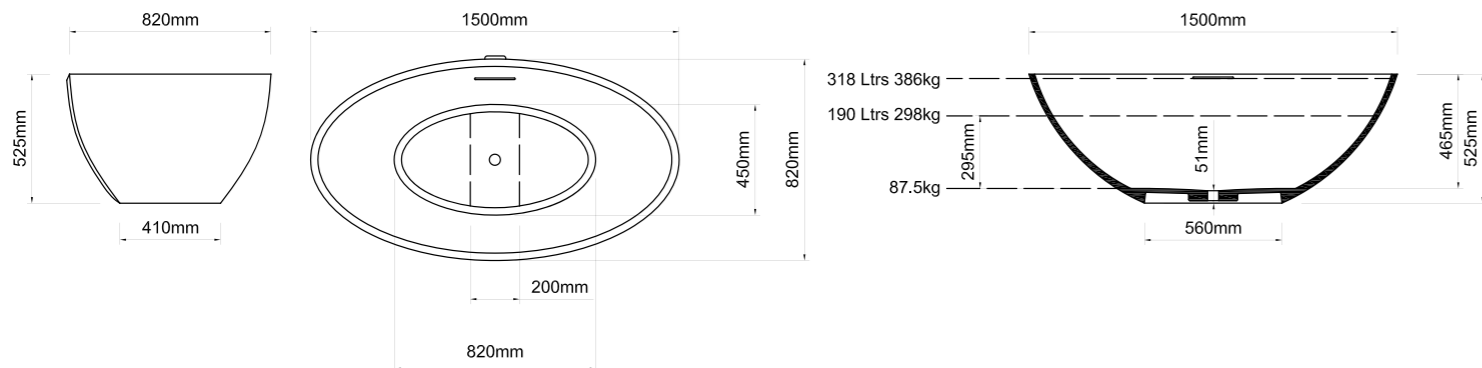
PETRA (1700) THE CONTEMPORARY RANGE



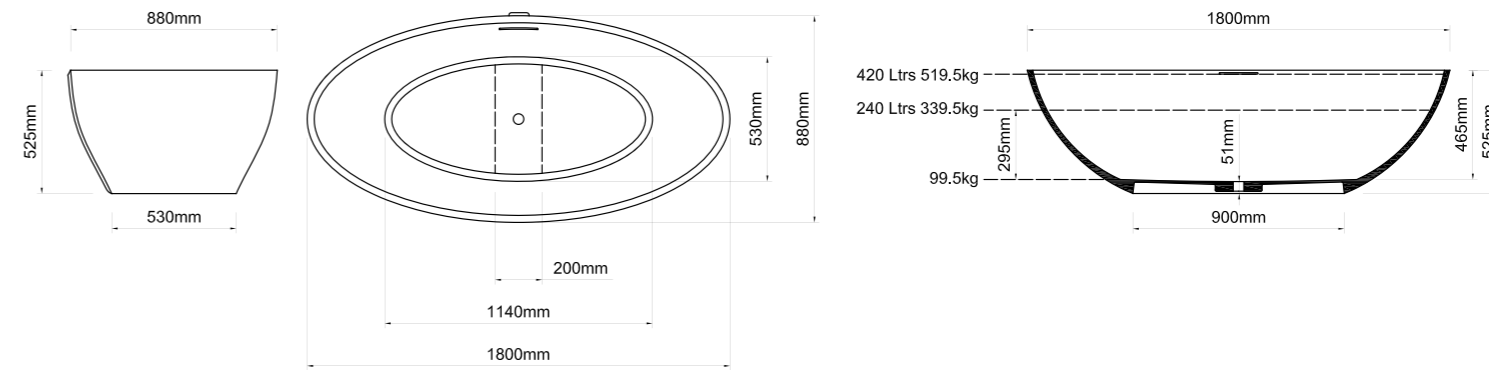
PETRA (1935) THE CONTEMPORARY RANGE



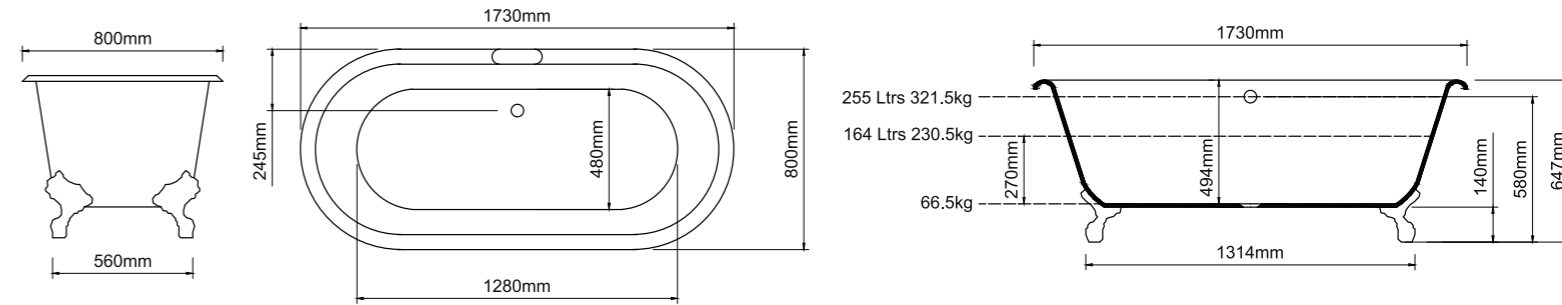
OLYMPIA (1500) THE CONTEMPORARY RANGE



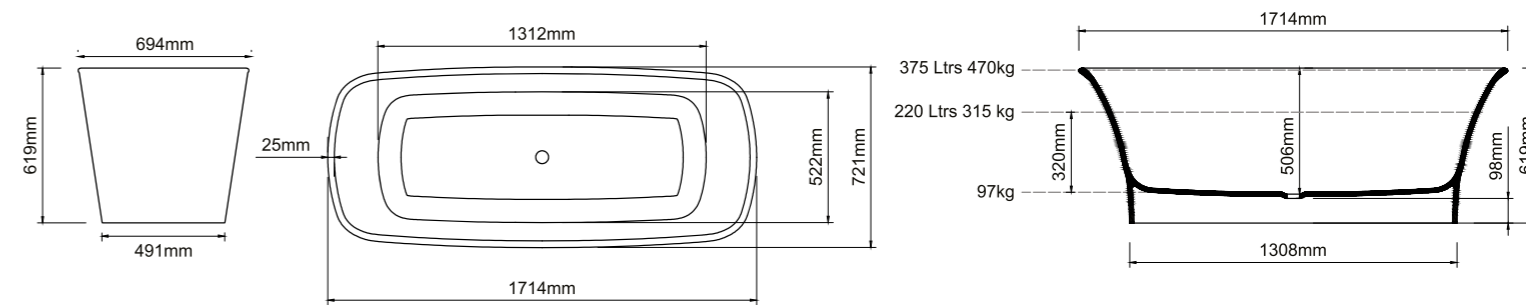
OLYMPIA (1800) THE CONTEMPORARY RANGE



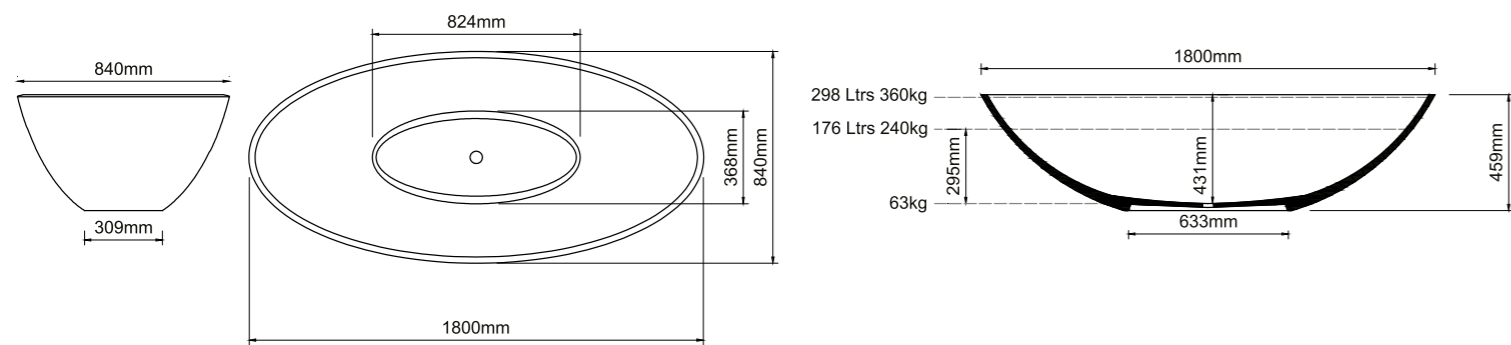
AZZURE THE CONTEMPORARY RANGE



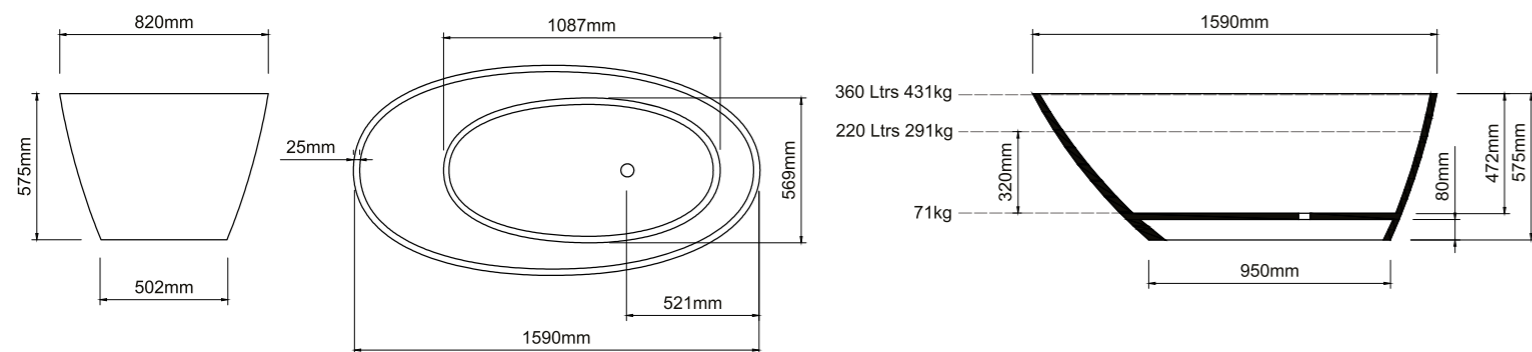
NISOU THE EXECUTIVE RANGE



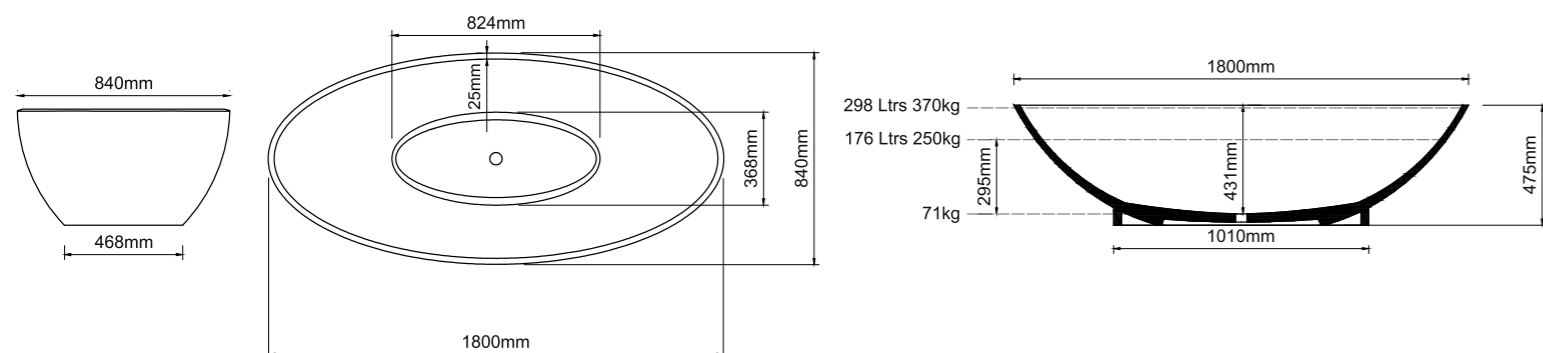
XINIA THE EXECUTIVE RANGE



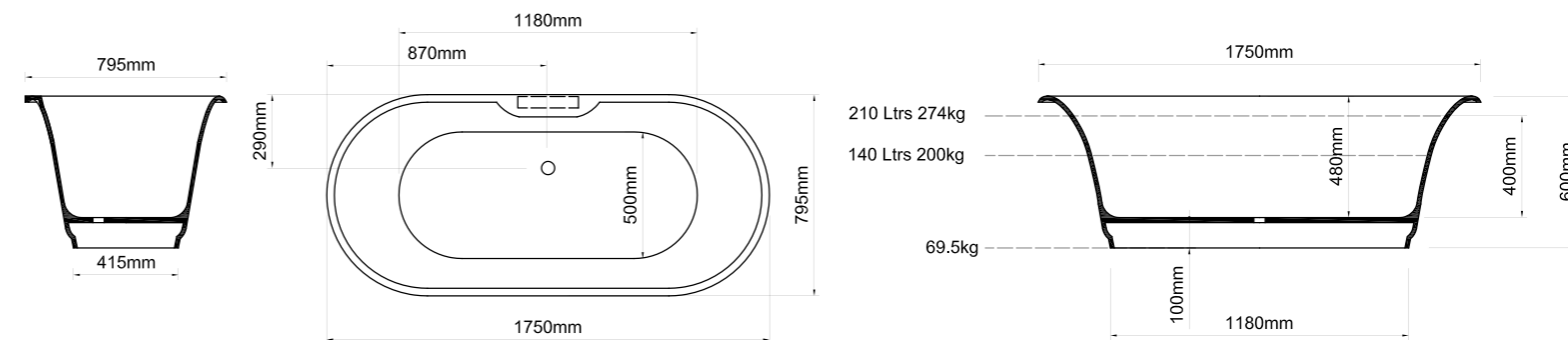
LEFKA THE EXECUTIVE RANGE



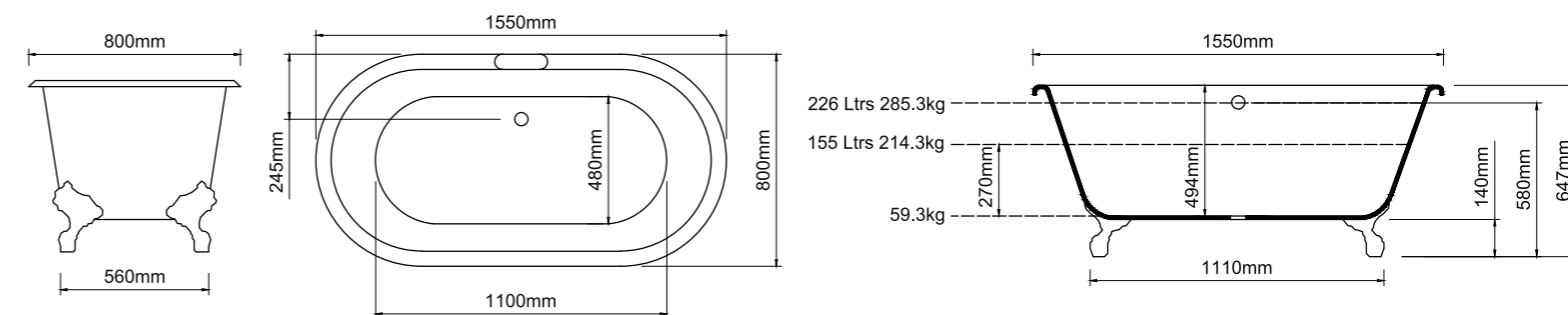
ONIS THE EXECUTIVE RANGE



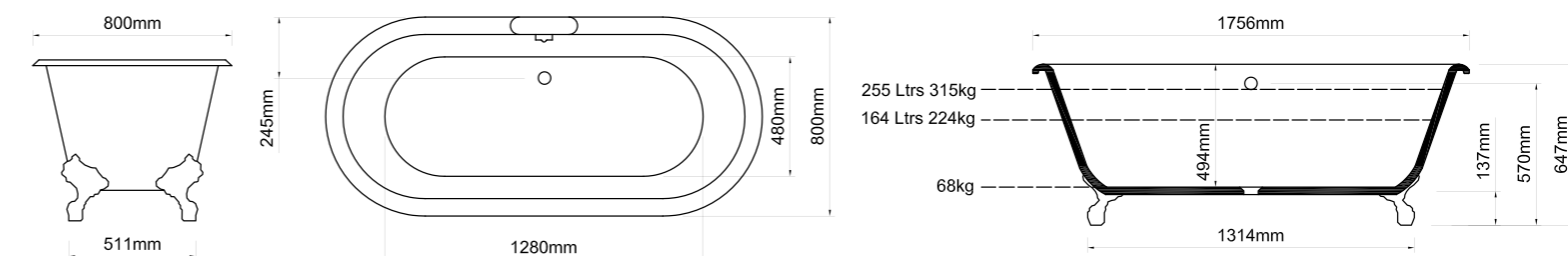
OTHELLO THE EXECUTIVE RANGE



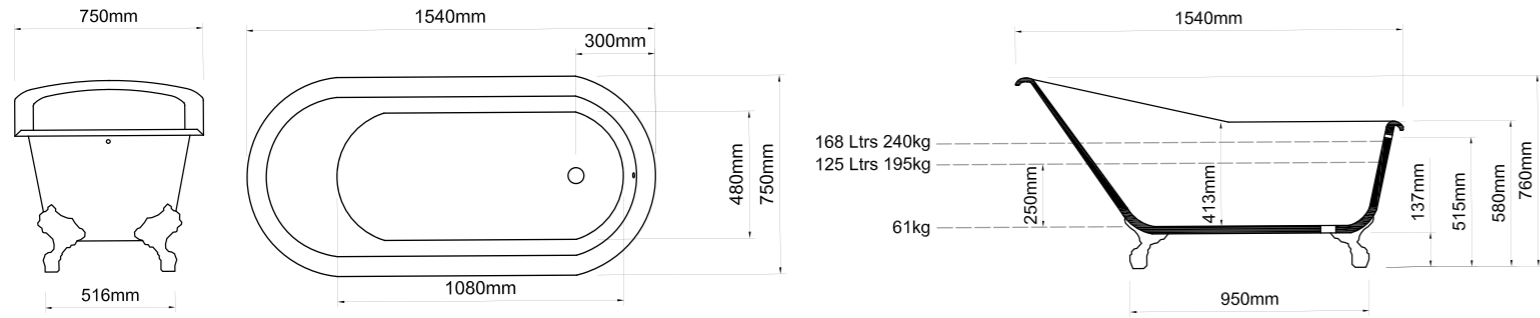
ALESSA THE EXECUTIVE RANGE



CORINTHIAN THE EXECUTIVE RANGE

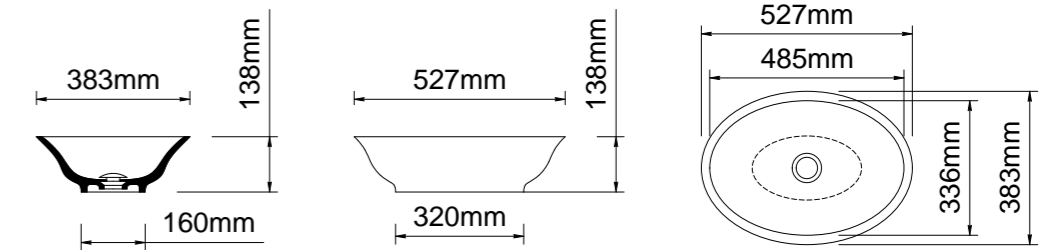


ATHENA THE EXECUTIVE RANGE



HAND BASINS

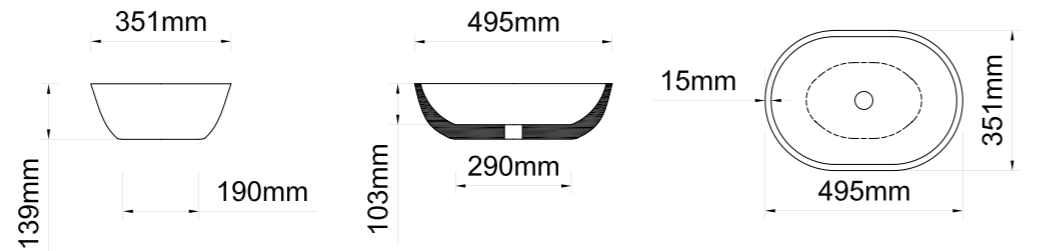
ATLANTIS



L 527mm x W 383mm x H 138mm

HAND BASINS

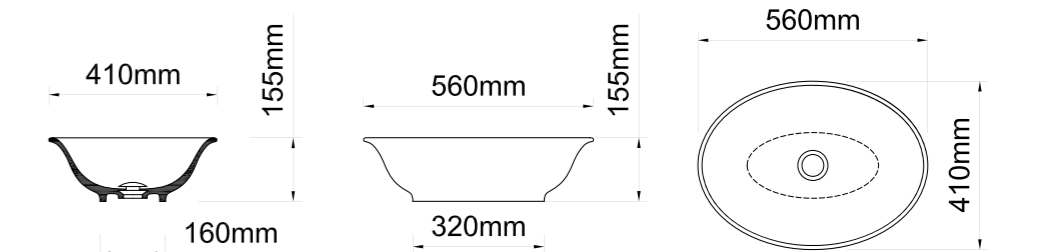
APOLLO



L 495mm x W 351mm x H 139mm

Basin Weight: 14.7 Kilos (approx)

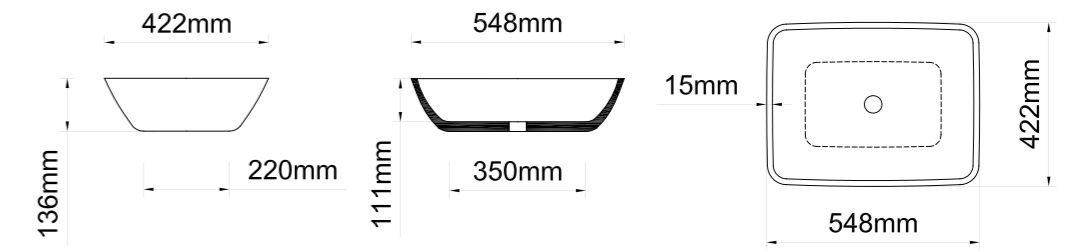
CORINTHIAN



L 560mm x W 410mm x H 155mm

Basin Weight: 9.0 Kilos (approx)

DELPHI

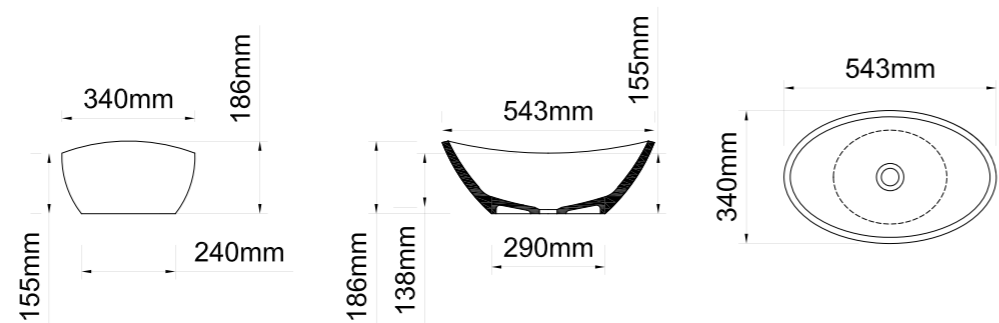


L 548mm x W 422mm x H 136mm

Basin Weight: 18.0 Kilos (approx)

HAND BASINS

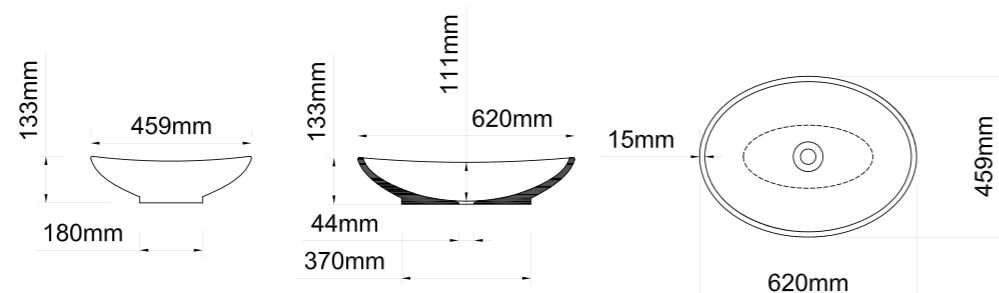
ISIS



L 543mm x W 340mm x H 186mm

Basin Weight: 7.5 Kilos (approx)

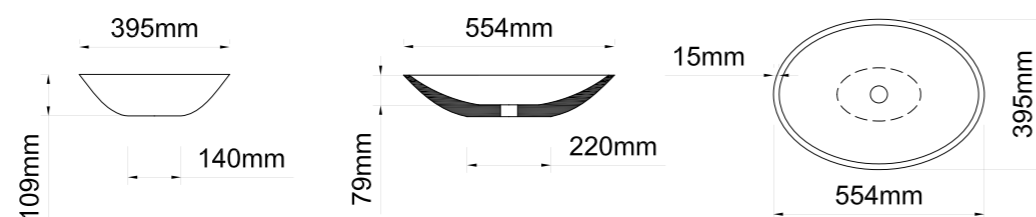
EOS



L 620mm x W 459mm x H 133mm

Basin Weight: 8.37 Kilos (approx)

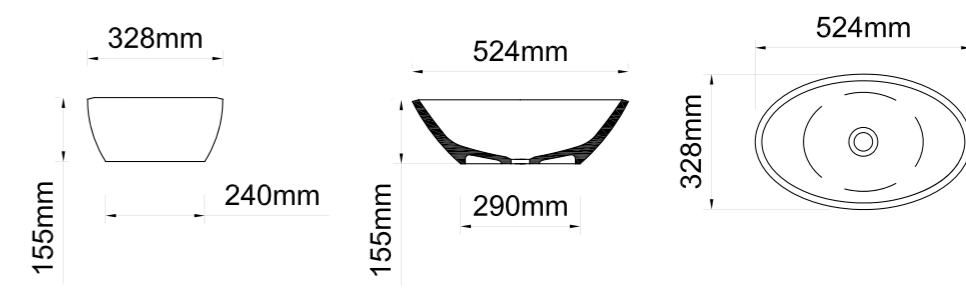
KOS



L 554mm x W 395mm x H 109mm

Basin Weight: 8.21 Kilos (approx)

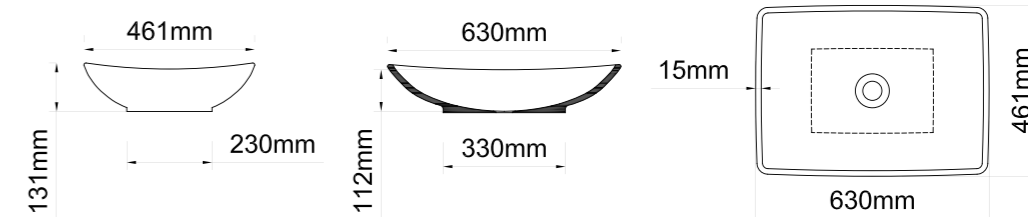
LEFKA



L 524mm x W 328mm x H 155mm

Basin Weight: 6.9 Kilos (approx)

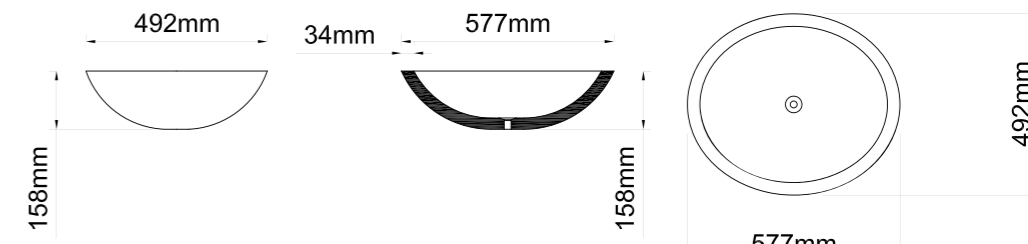
ZOI



L 630mm x W 461mm x H 131mm

Basin Weight: 10.2 Kilos (approx)

PETRA



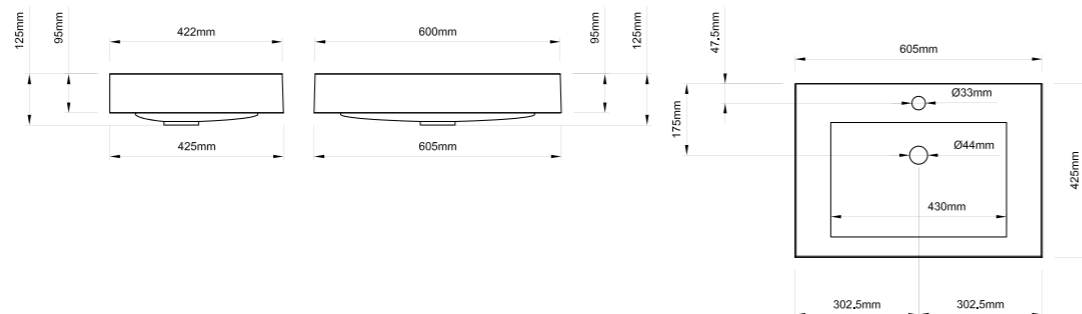
L 577mm x W 492mm x H 158mm

Basin Weight: 15 Kilos (approx)

HAND BASINS

HAND BASINS

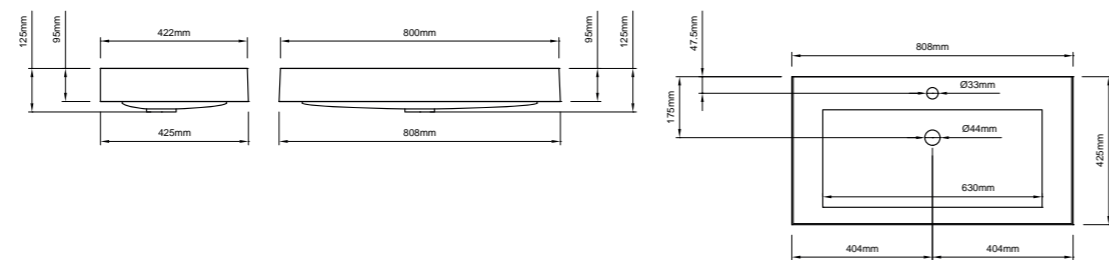
KUBOS (600)



L 605mm x W 425mm x H 125mm

Basin Weight: 15 Kilos (approx)

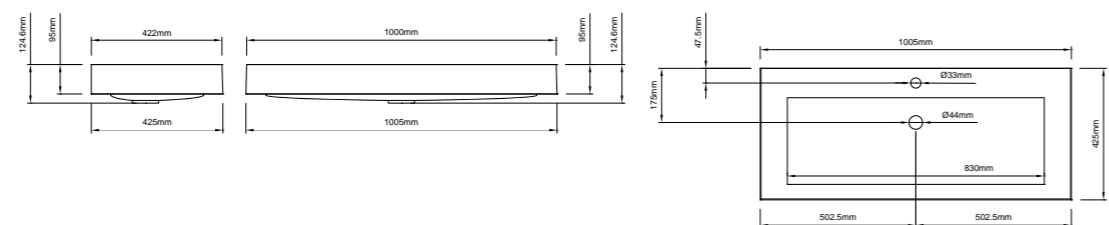
KUBOS (800)



L 808mm x W 425mm x H 125mm

Basin Weight: 17 Kilos (approx)

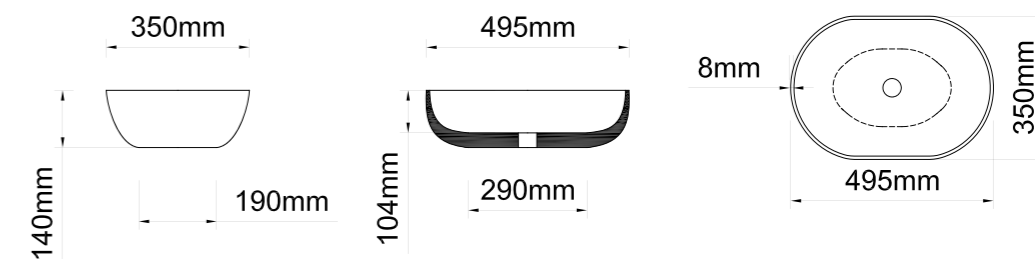
KUBOS (1000)



L 1005mm x W 425mm x H 125mm

Basin Weight: 19 Kilos (approx)

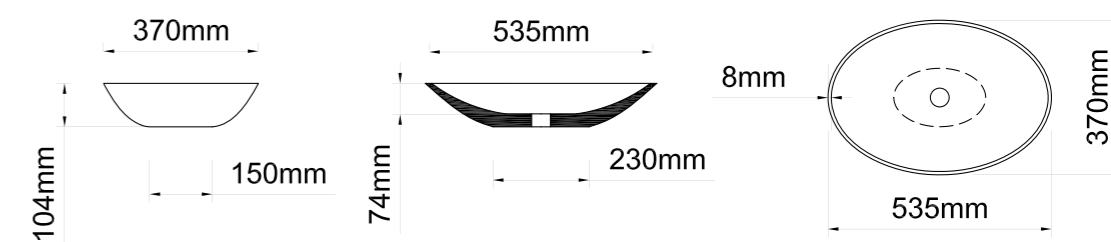
NEO



L 495mm x W 350mm x H 140mm

Basin Weight: 9 Kilos (approx)

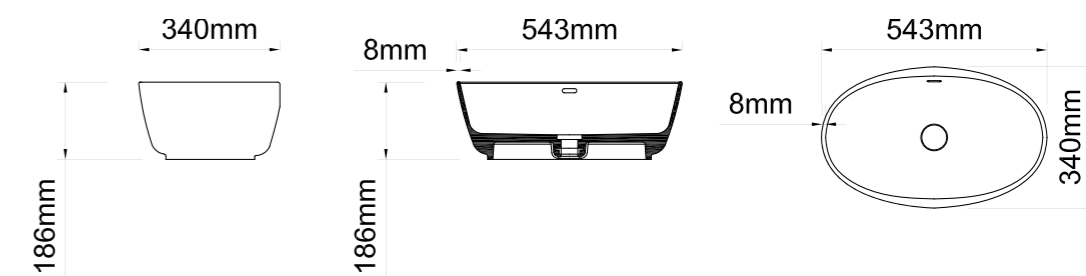
CELLA



L 554mm x W 395mm x H 109mm

Basin Weight: 7.3 Kilos (approx)

ITHICA



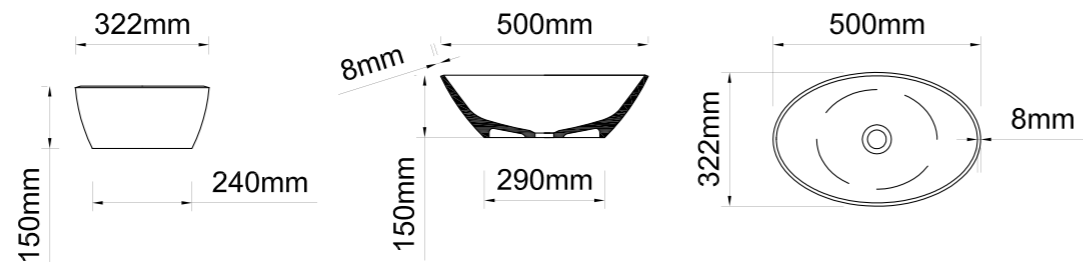
L 543mm x W 340mm x H 186mm

Basin Weight: 8.9 Kilos (approx)

HAND BASINS

HAND BASINS

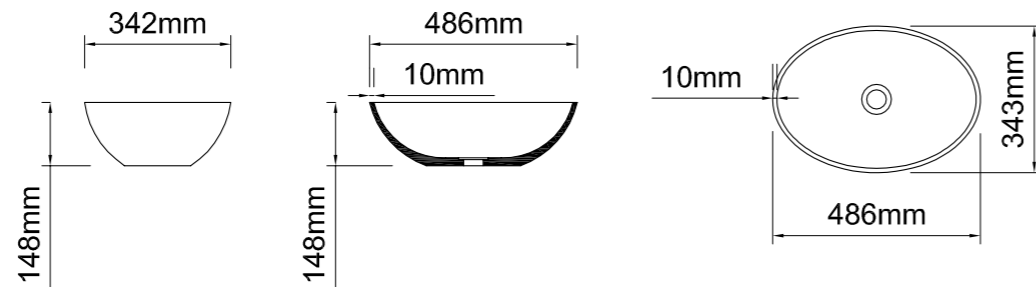
SAMOS



L 500mm x W 322mm x H 150mm

Basin Weight: 6.4 Kilos (approx)

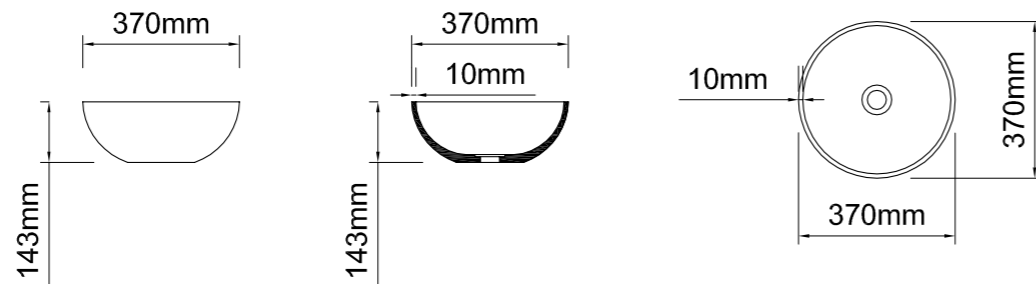
OLYMPIA



L 486mm x W 343mm x H 148mm

Basin Weight: 9 Kilos (approx)

FILI



L 370mm x W 370mm x H 143mm

Basin Weight: 7 Kilos (approx)

FACTORY FINISHED COLOURS

The perfect way to complete the colour scheme of your choice. Choose any colour for your Ashton and Bentley bath from the RAL colour palettes or Farrow & Ball® eggshell paints.



FACTORY FINISHES

CORRERO METALLIC™

Following an extensive development period we are delighted to introduce the Aegean, Alessa, Athena and Corinthian Metallic range. Created using a Vac Metalising Process VMP™ available with oxidized finishes.

This process unique to Ashton & Bentley is the perfect alternative to heavier metal baths. The range has been designed with a unique metal surface resulting in a bath that is exceptionally strong and elegant but without the excessive weight.

Traditionally, metal baths suffered from tremendous heat loss but with the thermal properties of Correro™ that insulates rather than loses heat you will be able to maintain water temperature longer.

Colour variations on the metal baths due to rigorous polishing are inherent characteristics of the bath and should not be deemed as faults. A simple wax finish will keep your bath looking shiny and elegant.

CORRERO COLOUR™ FACTORY FINISH

Ashton & Bentley are pleased to offer an exclusive high quality paint finish that is protected with Correro Colour™.

Your personalised colour scheme can be implemented using our traditional craftsmen and the finest materials, ensuring you a truly one of a kind Ashton & Bentley bath.

Please Note:

We have made every effort to ensure the colours in this brochure are as close as possible. Unfortunately, we cannot guarantee an exact colour match.

STANDARD FACTORY FINISH

Correro Metallic™

The Correro Metallic™ is available on the Aegean, Alessa, Athena, Corinthian and Othello.

Correro Colour™

Correro Colour™ is available on all Ashton & Bentley baths except the Artemis, Petra, Vasili and Olympia 1800 and 1500 with internal overflow.

Molten Metal

When it comes to creating an exceptional bathroom design, texture is key.

Contrasting design elements introduce warmth, depth and character to create a truly individual and high impact interior design scheme. Ashton & Bentley's Molten Metal finish is the ideal opportunity to introduce design layers to your bathroom. Available in brass, platinum, nickel and copper, the Molten Metal finish is the jewel in Ashton & Bentley's crown: breathtakingly beautiful, tactile and oh so opulent.

Artisan-crafted and created using only the highest quality metals, Ashton & Bentley's Molten Metal baths make a perfect and unique centrepiece for your bathroom design. Using a contemporary twist of time-honoured casting techniques first used in Victorian foundries, the metal is cast onto the bath in liquid form and hand-finished to create a surface its distinctive sheen and divine texture.

Standard White Finishes

All baths and basins are available with either a Stone Matt of a White Gloss finish.

CORRERO METALLIC™

Available on the Aegean, Alessa, Athena & Corinthian.



Brass



Platinum



Copper



Nickel

MOLTEN METAL

Available on all baths except Vasili and Artemis.



Molten Metal

Very Important Notice:

Please read these notes before ordering your metal bath or basin. Due to the use of real metal and that each of our baths and basins are individually hand crafted, there will slight variations in the finish of the metal surface. Colour variations due to rigorous polishing are inherent characteristics of the bath or basin and should not be deemed as faults. There may also be occasional darker spots or blemishes in the surface. The extent of these variations should be in line with natural tarnishing of metal surfaces in general and part of the aesthetic appeal.

CORRERO COLOUR™

Available on all Ashton and Bentley baths except Olympia 1800 and 1500 with internal overflow.



Your choice*

* Example shows Correro™ Linden Green

STANDARD WHITE FINISHES

Available on all Ashton and Bentley baths.



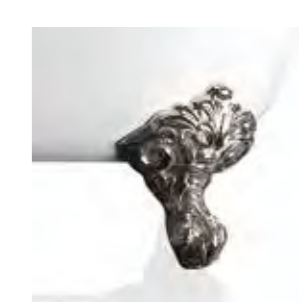
White Gloss



White Matt

CAST IRON FEET

Available in plain Cast Iron, White, Chrome Nickel and Polished Brass.



Please Note: The images are for illustration purposes only



ASHTON & BENTLEY

Organic techni

YOUR
CREATIVITY
STARTS
HERE

Ashton & Bentley are proud to present our exclusive and innovative concept – Organic Techni. A free standing bath with countless creative options, our exquisite Organic Techni bath has been designed with total versatility in mind.

Simple yet versatile, the design elements will inspire your creative concepts and allow your ideas to evolve.

Introducing Organic Techni	77
The Organic Techni bath and basins	78
Bespoke rim	80
The perfect fit	82
Inset bath	84
Imagination	86
Furniture – Contemporary	88
Furniture – Traditional	90
Stone finish	92
Fitting instructions	94
Baths	95
Hand basins	96-97
Guarantee	98





INTRODUCING
Organic techni

Organic Techni's focal product is our free standing bath. Elegant contours with a luxurious finish born of nature's organic limestone and white marble.

Focus your imagination – Such a considered and carefully crafted product commands attention.

Let your ideas grow – Your ideas will flourish – organically. With the Organic Techni collection as your influence, your design solutions will be naturally functional, beautiful and admired by all.

OUR COLLECTION YOUR INGENUITY

Introducing Organic Techni's creative elements. Your ideas start here:

The organic techni bath – One beautifully designed product to focus your ideas.

The contoured rim – Able to be modelled to any shape you desire, your opportunity for creativity is limitless.

Frame – Combining our precision made complimentary frame with the bath offers countless colour combinations.

Furniture – Introducing a contemporary modular system and a range of traditional furniture to accompany the Organic Techni rim bath.

Finishes – The full range of products can be coloured to your specification, including our luxurious Corroero™ Metallic finishes.

THE ORGANIC TÉCHNI BATH

The concept from which all evolves. With inspired curves, and built from a complex matrix of luxurious organic minerals, our bath forms the foundation of the Organic Técnica range of products.

This is only the start. With bespoke modelled rims, a striking frame and coordinating furniture at your disposal... your ideas will flow.

Dimensions (mm):

1500 free standing – L1500 x W732 x H600

1690 free standing – L1690 x W732 x H600

BASINS

It is no surprise that the Organic Técnica basin mirrors the elegant form of the Organic Técnica bath. Individually they are beautiful. Together they are perfect.

Available in both free standing and inset – the Organic Técnica basins for another versatile element in your creative palette.

Dimensions (mm):

495 free standing – L495 x W310 x H162

900 free standing – L900 x W360 x H162



BESPOKE RIM

Your ability to create is extended with the addition of the Organic Técnica's rim.

Perfectly moulded to the bath's organic form – it reaches outwards – and your imagination runs with it.

Using your unique template we can form the rim to any shape you desire – your creativity is limitless.

Dimensions (mm):

Bath

1500 bespoke rim – L2100 x W1170 x H600

1690 bespoke rim – L2100 x W1170 x H600

Basin

495 bespoke rim – L1300 x W500 x H162

900 bespoke rim – L1300 x W500 x H162



THE PERFECT FIT

A perfect problem solving solution, the extended rim can be modelled to any shape to overcome angles or shapes within your design, no matter how awkward.

The contoured rim can extend to a maximum length of 2100mm and a width of 1170mm, far beyond the baths 1500/1690 x 750mm dimensions.

Dimensions (mm):

Bath

1500 bespoke rim – L2100 x W1170 x H600

1690 bespoke rim – L2100 x W1170 x H600

Basin

495 bespoke rim – L1300 x W500 x H162

900 bespoke rim – L1300 x W500 x H162



INSET BATH

Adding one of our perfectly moulded rims to the Organic Técnica bath offers many exciting creative opportunities.

The artisans at Ashton & Bentley can profile the rim to any shape you desire, meaning you can merge the rim seamlessly within an inset environment, or make a statement by using the rim to create contrast with its surroundings.

Dimensions (mm):

Bath

1500 bespoke rim – L2100 x W1170 x H600

1690 bespoke rim – L2100 x W1170 x H600

Basin

495 bespoke rim – L1300 x W500 x H162

900 bespoke rim – L1300 x W500 x H162



IMAGINATION

To compliment your creativity we can cut and reshape to overcome or add to any design brief.

Dimensions (mm):

Bath

1500 bespoke rim – L2100 x W1170 x H600

1690 bespoke rim – L2100 x W1170 x H600

Basin

495 bespoke rim – L1300 x W500 x H162

900 bespoke rim – L1300 x W500 x H162



FURNITURE – CONTEMPORARY

For those who desire pre-made furniture to house the baths and basins, we have designed a range of furniture options.

Hand made to compliment the Ashton and Bentley collection, these stylish contemporary panels can be painted to any colour you desire.

Dimensions (mm):

Bath

1500 bespoke rim – L2100 x W1170 x H600

1690 bespoke rim – L2100 x W1170 x H600

Basin

495 bespoke rim – L1300 x W500 x H162

900 bespoke rim – L1300 x W500 x H162



FURNITURE – TRADITIONAL

If you wish to make a feature of your Organic Técnica products within traditional surroundings – we have designed beautiful, traditionally styled furniture to house both the Organic Técnica bath and basin.

Ashton and Bentley's craftsmen can paint the furniture to any colour you desire.

Dimensions (mm):

Bath

1500 bespoke rim – L2100 x W1170 x H600

1690 bespoke rim – L2100 x W1170 x H600

Basin

495 bespoke rim – L1300 x W500 x H162

900 bespoke rim – L1300 x W500 x H162



TEXTURED FINISH

Designed to emulate a sculptured stone finish.

Dimensions (mm):

Bath

1500 free standing – L1500 x W732 x H600

1690 free standing – L1690 x W732 x H600

Basin

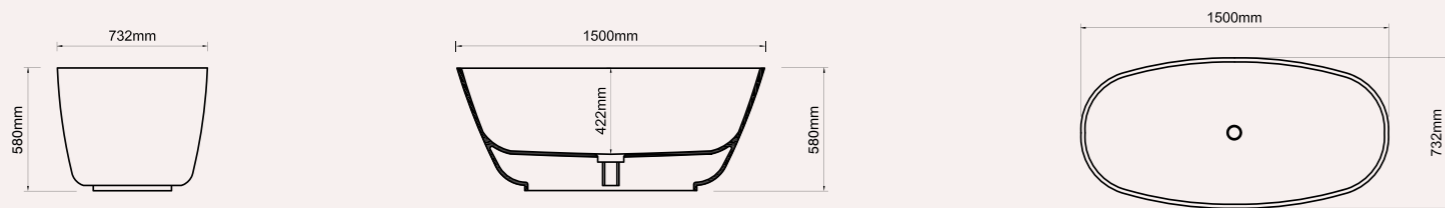
495 free standing – L495 x W310 x H162

900 free standing – L900 x W360 x H162

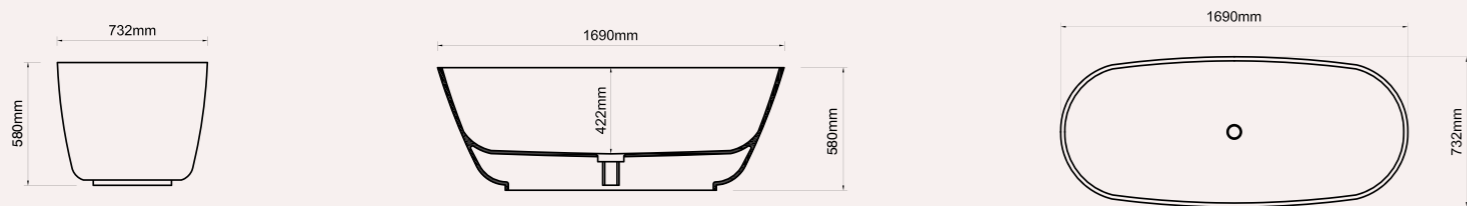


BATHS

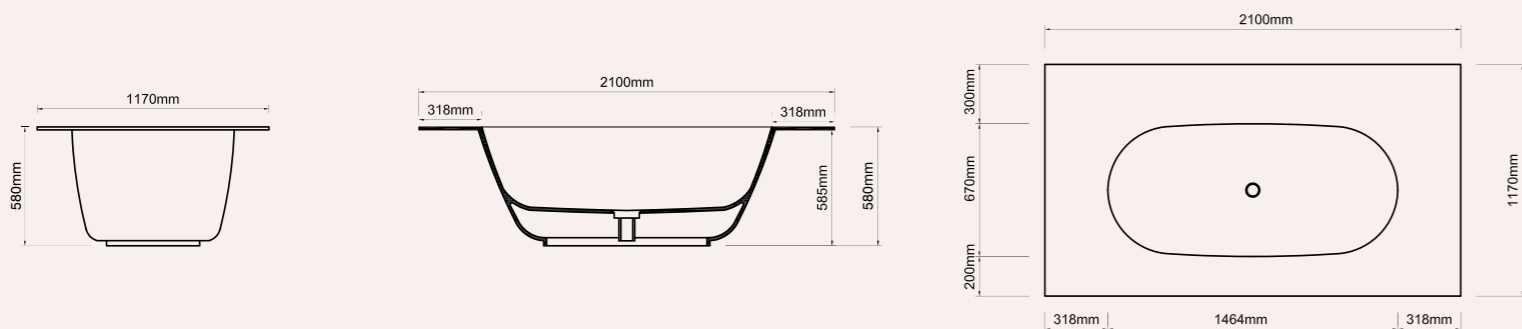
1500 FREE STANDING – L1500 x W732 x H580



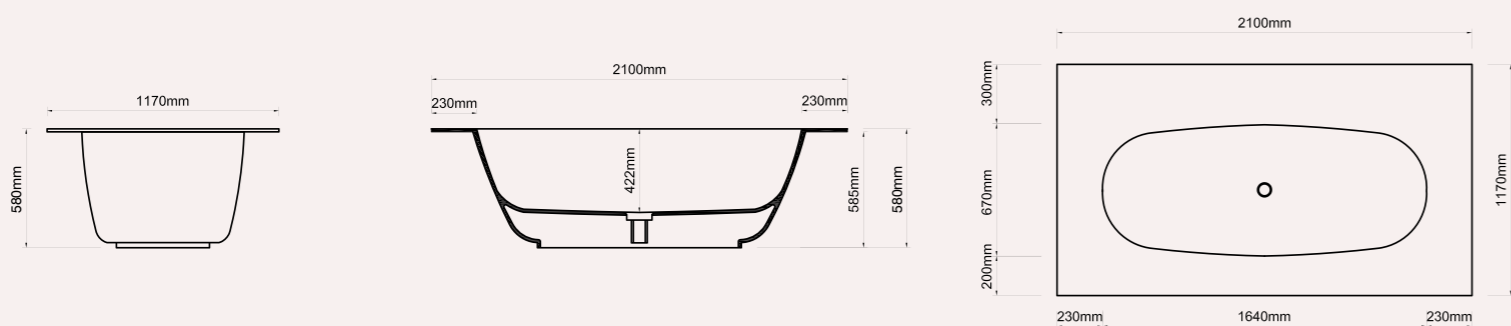
1690 FREE STANDING – L1690 x W732 x H580



1500 BESPOKE RIM – Bath: L1464 x W670 x H580 Rim: L2100 x W1170 x H580

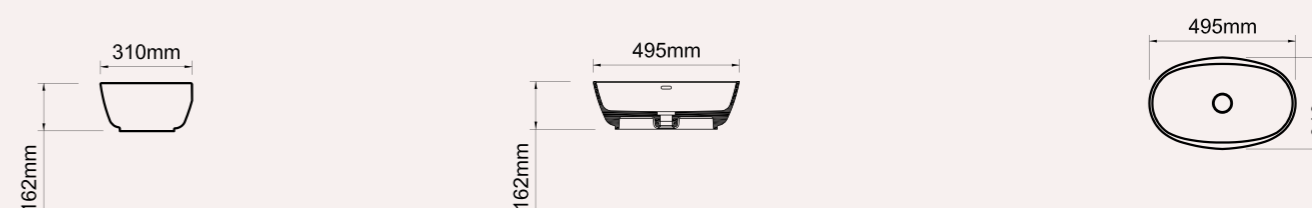


1690 BESPOKE RIM – Bath: L1640 x W670 x H580 Rim: L2100 x W1170 x H580

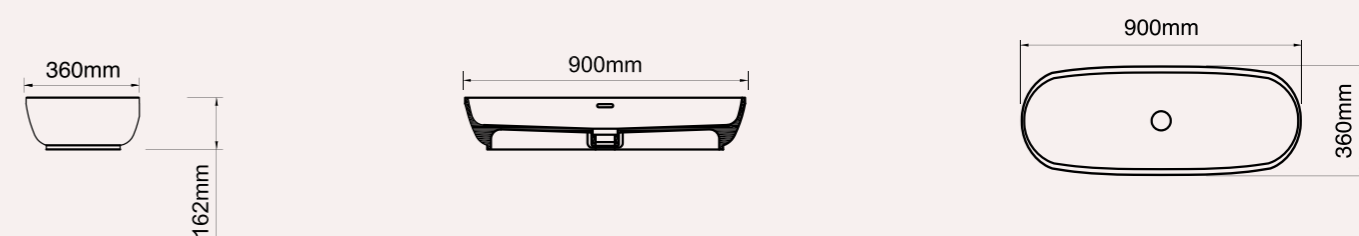


HAND BASINS

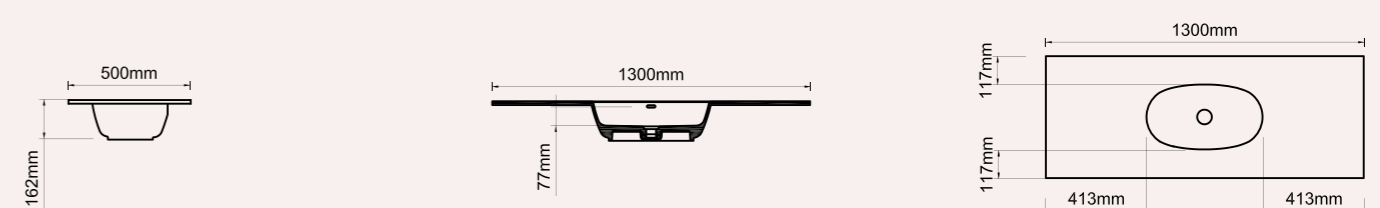
495 FREE STANDING – L495 x W310 x H162



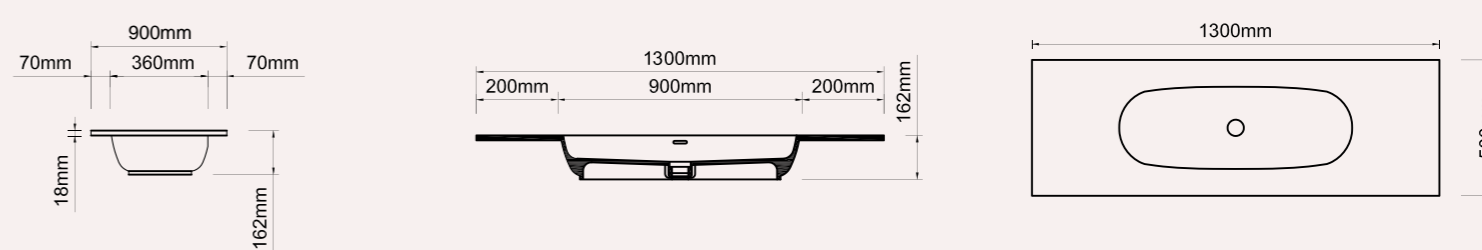
900 FREE STANDING – L900 x W360 x H162



495 BESPOKE RIM – L1300 x W500 x H162

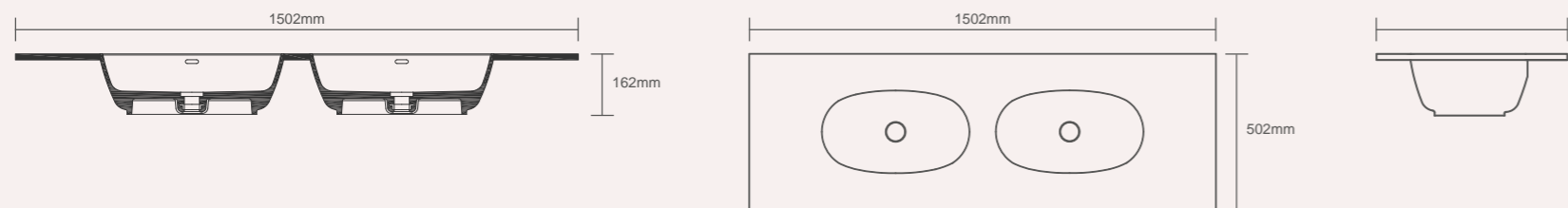


900 BESPOKE RIM – L1500 x W500 x H162

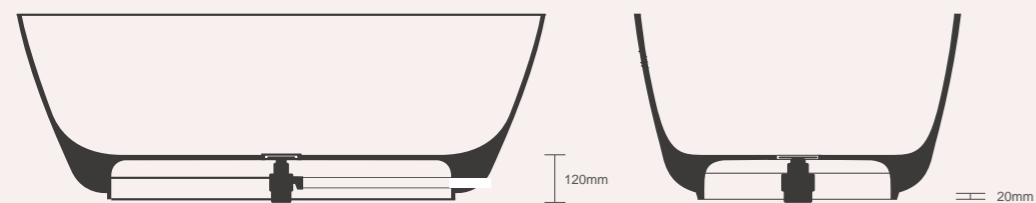


HAND BASINS

ORGANIC DUO TECHN1 – L1502 x W502 x H162



PLINTH



The void that has been created under the bath gives the installer enough space to accommodate the waste outlet and trap and allows the bath to drain off above the floor level making it suitable for any application.



CARE & MAINTENANCE

Correro™ Care Guide

These simple maintenance guidelines apply to all surfaces. They will help you to preserve the distinctive look and feel of the Correro™ solid surface material.

General Cleaning

Avoid exposing the surface to harsh chemicals such as paint removers/thinners, acetone based cleaners, stove/drain cleaners, etc. If these come in contact with the surface, quickly wash off with water, using the appropriate safety measures to avoid injury.

Most dirt and residue can be removed with commercially available solid surface cleaners (such as Countertop Magic®) or soapy water / mild detergent. Do not use cleansers that contain acid or ammonia. Nor should you use caustic soda or strong bleaches. If you want a really good shine you can finish off with a fine automotive paint polish and then wax with traditional car wax. If you do this regularly you will get a finish that will look as good as new for many years to come.

Removing Scratches From White Gloss Finishes

Because the product is cast solid all the way through, the surfaces are completely renewable. You can remove a minor cut or scratch yourself.

Judge the severity of the scratch and start with the finest grit wet & dry sandpaper as possible to remove the scratch (possible 1000 or 1200 grit). To minimise the dust, keep the sandpaper wet. Rub over the scratch in straight lines to remove it, periodically switching your rubbing direction by 90°. Rub until all of the scratch is removed.

Clean the area with water and select the next lighter grit sandpaper and repeat process rubbing over an extended area to blend the sanding in.

Continue this process until you have sanded with 1500 grade wet & dry sandpaper. At this point the area should show a soft sheen. You can now polish the area up to a gloss finish with automotive paint polishing compound such as T-Cut®. Extend the polishing in a larger area to blend the surface finish. Finish with a traditional car wax.

Metal Finishes

Clean with a damp cloth and warm soapy water or a soft detergent and dry with a soft cloth. Do not use solvent based cleaners, or those containing hydrochloric acid or petroleum distillates. Do not use abrasive materials, chemicals or cloths.

Matt Finishes

Matt finishes need to be cleaned as per gloss as most dirt and residue can be removed with commercially available solid surface cleaners (such as Countertop Magic®) or soapy water / mild detergent. To bring a surface back to a flat matt finish, use a fine grey or green Scotchbrite pad, rubbing it randomly by hand.

Water Temperature

When filling your bath, always fill it with cold water first before adding hot water – Please note, the water from the hot water tap should not exceed 55°C. A sudden change in temperature runs the risk of causing thermal cycling effects. It is not a fault with the product, but a natural reaction when a high temperature hits a cold surface unexpectedly.

For more information, please refer to our Product Care Guide which is available at www.ashtonandbentley.co.uk

FITTING INSTRUCTIONS

We strongly advise that you examine the bath upon delivery. The installation of the bath will be seen as an acceptance of quality and we will not accept any responsibility for any damage or imperfections once installed.

It is recommended that the bath is installed by a qualified plumber and must be placed on a completely flat solid surface and supported fully. All instructions must be carried out otherwise this may invalidate your guarantee. We cannot accept responsibility for incorrect installations. We do not give any advice on DIY installations.

Full fitting instructions are available online at www.ashtonandbentley.co.uk

Underfloor Heating

To reduce potential issues of thermal cycling effects, avoid the installation of heating elements or pipes directly below the bath. Any installation of this type will invalidate your guarantee.

Drilling your Ashton and Bentley Bath

We strongly recommend that any drilling requirements are requested prior to purchase. Ashton and Bentley carry out a free of charge factory service for this work.

Tap holes can be drilled in the rim by third party installers, provided that they follow the instructions provided with the bath.

We do not recommend any drilling in the plinth or around the base of the bath is carried out by third party installers, as this could adversely affect the integrity of the bath. Any baths drilled in these areas by third party installers will not be covered under the guarantee.



GUARANTEE

To validate your guarantee you need to register the product on line at: www.ashtonandbentley.co.uk/product-registration

All Ashton & Bentley hand made baths are guaranteed for 25 years.

The guarantee is valid from the purchase date against any defects in the materials and /or workmanship. In the unlikely event of any defects we will replace subject to the following conditions:

- Our obligation remains with the original purchaser and cannot be transferred.
- The product has to have been used for its intended purpose and the guarantee does not cover or apply to misuse or abuse in anyway.
- Product must be fitted by a qualified plumber.

The guarantee does not cover:

- Accidental damage including scratches after purchase.
- Failure to follow guidelines on fitting instructions or care and cleaning procedures.
- Any form of damage on installation.
- Fault that may arise from improper use or care.
- The guarantee covers products in domestic use by the consumer and not commercial or business use.

Your guarantee will be invalidated if you do not follow the fitting instructions. This guarantee does not affect your statutory rights. The bath serial number is located beneath the bath. This sticker must not be removed or defaced otherwise it will invalidate the guarantee.

Copyright © 2018 Ashton and Bentley

All rights reserved. No part of this publication may be reproduced, distributed, or transmitted in any form or by any means, including photocopying, recording, or other electronic or mechanical methods, without the prior written permission of Ashton and Bentley. For permission, please contact or write to Ashton and Bentley, addressing the need for the use of, whereby any granting of copyright material will be at the discretion of the company for use under license." The licence can be withdrawn at any time by the copyright holder.

TERMS & CONDITIONS

Ashton & Bentley pursues a policy of continual development and improvement and as such, product specifications may be changed without prior notice. All dimensions listed are only nominal. Being hand-finished, cast products all dimensions are subject to a tolerance of +/- 3%.

- Ashton & Bentley reserve the right to change prices, designs and specification at anytime without notice.

- We strongly recommend that all our baths are installed by a qualified plumber.
- The contemporary baths are designed with no overflow unless stated.
- All intellectual property rights belong to Ashton & Bentley.

GET IN TOUCH

Put Organic Técnica at the heart of your next project.
Contact us for more information.

The Design Studio,
Creative Industries Centre,
Wolverhampton Science Park,
Wolverhampton WV10 9TG

01902 837436
www.ashtonandbentley.co.uk
info@ashtonandbentley.co.uk

ASHTON & BENTLEY



MADE GREAT. IN BRITAIN.

The Design Studio, Creative Industries Centre, Wolverhampton Science Park, Wolverhampton WV10 9TG

T: 01902 837436 | W: ashtonandbentley.co.uk | E: info@ashtonandbentley.co.uk